

Country of Origin : China
 Operating Temperature : 0~40 [°C]
 Efficiency level (ErP) : VI

GREEN MODE

RoHS



Specifications

Model	Voltage DC [V]	Loading [A]	Max. Power [W]	Ripple / Noise [mV] p-p	Connector [mm]
SYS1561-1105-Wxx*	5	0~2.1	10.5	200	2.1x5.5x11
SYS1561-1105-Wxx*	5	0~2.1	10.5	200	micro USB
SYS1561-1105-Wxx*	5	0~2.1	10.5	200	USB-C
SYS1561-1105-Wxx*	5	0~2.1	10.5	200	USB inlet
SYS1561-11054-Wxx*	5.35	0~2.0	10.7	200	2.1x5.5x11
SYS1561-1006-Wxx*	6	0~1.66	10	200	2.1x5.5x11
SYS1561-1212-Wxx*	12	0~1.0	12	200	2.1x5.5x11

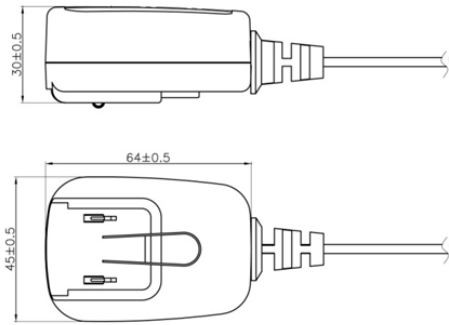
Features:

Certified changeable plugs Wxx = W2E - Europe | W3U - England | W2 - USA, Canada, Japan, Taiwan | W2A - Australia | W2C - China | W2K - Korea | W2I - India
 Output connector: standard: 2.1 x 5.5 x 11mm or customer requirement | Regulated Output With Low Ripple Noise | Safety Agency Requirements and EMI/EMS Certified
 Private Label Marking Available | Modified and Custom Design Available | 2 Years Warranty

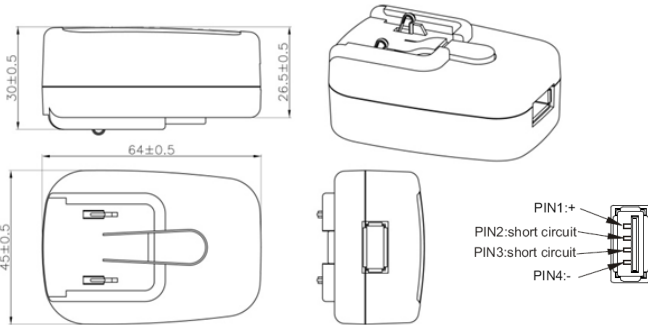
INPUT OUTPUT	Voltage	90-264VAC
	Current	1.0A rms max At AC low line input and DC output full load
	Inrush Current	40/60A max At power supply cold start, ambient temperature 25°C@115VAC/230VVAC nominal AC input
	Power consumption	0.1W rms max At AC nominal input@output no load
	Efficiency	Meet ERP level VI
	Hold up time	5mS min At AC nomind input @ output full load
	Turn delay	7000 ms max At AC low line input@output full load
	Ripple noise	200mV
Burn-in	2 Hour Full Load	
PROTECTION	Over current Short protection	Fold back Auto recovery when abnormal circuit faults remove.
	Over Voltage	Voltage limit
	Input protection	1A/250V The power supply shall be protected against power line surges and any abnormal condition
	Protection class	Class II
SAFETY	CE EMC	2014/30/EU
	CE LVD	2014/35/EU IEC 62368
	Safety approvals	CB CE GS FCC cULus CCC BSMI PSE KC(5V only) SAA RCM EAC BIS(1105)
	Dielectric Strength (Hi-pot)	IEC 320 2pin primary to secondary 3000Vac 10mA 1min
	Leakage current	0.25 mA max.
ENVIRONMENTAL	Temperature	Operating: 0~40°C / Storage: -20~85°C
	Humidity	Operating: 8%~90%RH / Storage:5%~95% RH
	Cooling	Natural Convection Cooling
OTHER	MTBF	MTBF shall be least 50,000 hours at 25°C (MIL-HDBK-217F)
	Weight	50g-76g
	Dimension	64x45x30 mm
	Packing	80 pcs 1 box

Mechanical case specification:

1) Cable type

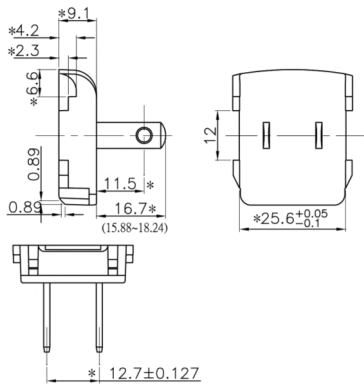


2) USB inlet type

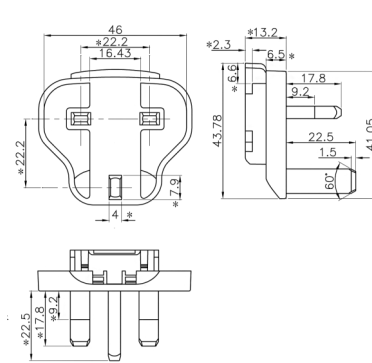


Mechanical specification (country housing):

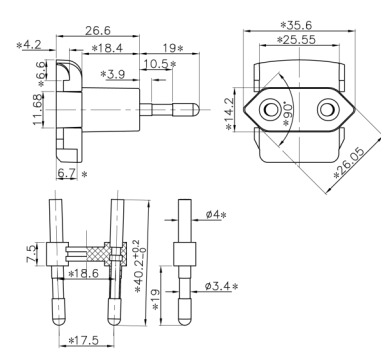
US / Japan type (W2)



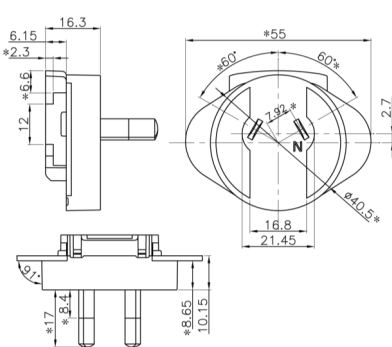
UK type (W3U)



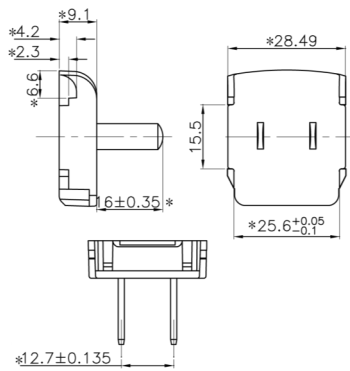
Europe type (W2E)



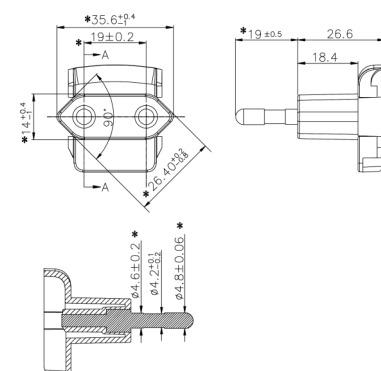
Australia type (W2A)



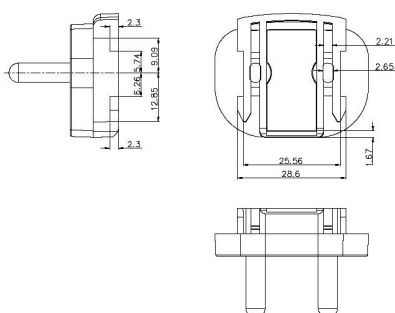
China type (W2C)



Korea type (W2K)



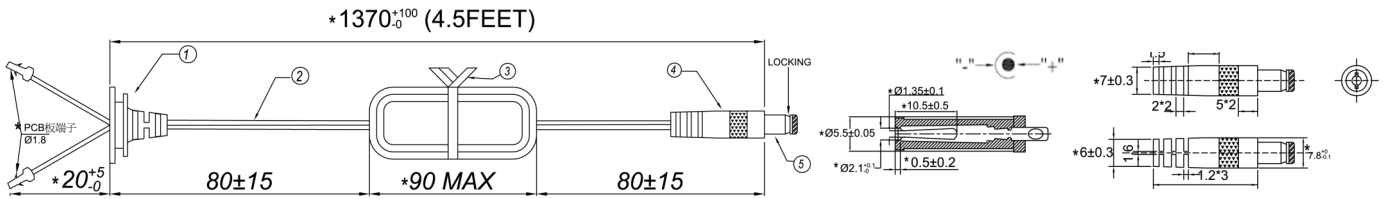
India type (W2I)



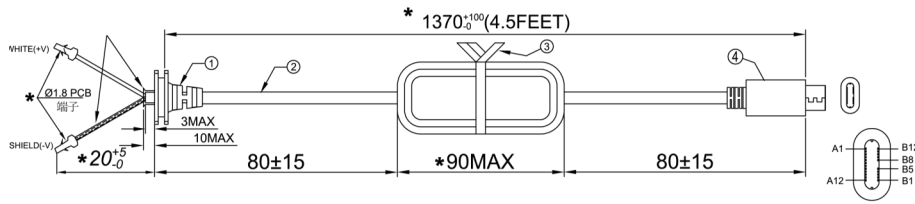
Cable specification:

2468#20*2C – SYS1561-1105-Wxx | 2468#24*2C – SYS1561-1212-Wxx

For 2.1x5.5 connector



For USB C connector



For micro USB connector

