

Country of Origin : China
 Operating Temperature : 0~40 [°C]
 Dimension : 73 × 34 × 50 [mm]
 Efficiency level (ErP) : VI



Approvals / Marks :



Specifications

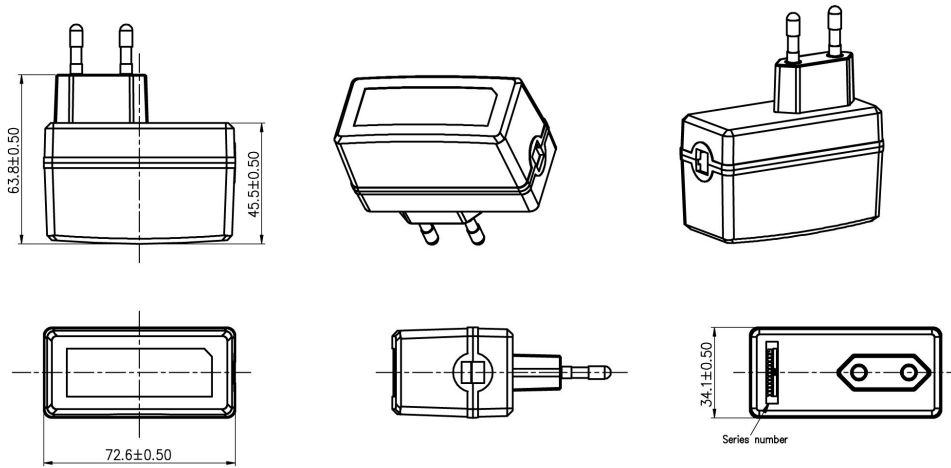
Model	Voltage DC [V]	Loading [A]	Max. Power [W]	Ripple / Noise [mV] p-p	Connector [mm]
SYS1531-1505-Wxx	5	0~3	15	150	2.1x5.5x11
SYS1531-1506-Wxx	6	0~2.5	15	150	2.1x5.5x11
SYS1531-1508-Wxx	7.5	0~2	15	180	2.1x5.5x11
SYS1531-1809-Wxx	9	0~2	18	180	2.1x5.5x11
SYS1531-2412-Wxx	12	0~2	24	180	2.1x5.5x11
SYS1531-2415-Wxx	15	0~1.6	24	200	2.1x5.5x11
SYS1531-2418-Wxx	18	0~1.33	24	200	2.1x5.5x11
SYS1531-2424-Wxx	24	0~1	24	280	2.1x5.5x11

Features:

PSU housing ready for use in country : Wxx = W2E - Europe | W3U - England | W2 - USA, Canada, Japan, Taiwan | W2A - Australia | W2C - China
 Output connector: standard: 2.1 x 5.5 x 11mm or customer requirement | Regulated Output With Low Ripple Noise | Safety Agency Requirements and EMI/EMS Certified

OUTPUT		CE	
Turn delay	3000 ms max @ AC low line input@output full load	EMC	2014/30/EU
Hold up time	5ms min@AC nominal input@output full load (>half cycle)	LVD	2014/35/EU EN 60950-1:2006+A11+A1+A12+A2 EN 62368-1
Efficiency (Normal)	Meet CEC,DOE,ERP,MEPS Level VI@115v/60HZ,230V/50HZ	SAFETY	
Transient response (dv,tmax)	0.4v dv max At AC nominal input loading from 50% load to max load or peak load 16ms tmax Dynamic rise time 10uS max , duty 40mS max , Dynamic load step is slew rate of 0.5A/uS	cULus GS CB CE FCC BSMI PSE SAA RCM	
Power out.Limit	Peak 28W	OTHERS	
Burn in limit	Full load 2 Hours	Dielectric Strength(Hi-pot)	Primary to Secondary:3000VAC 10mA/60S
Power consumption	Less than 0.075W ms max. At AC nominal input@output min load	M.T.B.F	500,000 Calculated Hours at 25°C, by Telcordia SR-332
INPUT		Cable Length	1800mm (6 feet) standard round cable or as required
Voltage	(90~264)VAC	PLD (power line disturbance)	Line power surge Line voltage SAG-more info on request
Frequency	(47~63)hz	Cooling method	Natural Convection Cooling
Current	0.5A rms @ AC low line input and DC output full load	Housing material	PC
Inrush Surge Current (cold start)	40/60A max@power supply cold start,ambient temperature 25°C @115Vac/230Vac nominal AC input	Temperature coefficient:	< ±0.5% / °C
leakage current	0.25mA Max	ENVIRONMENT	
PROTECTION		Temperature	Operating: 0~40°C / Storage: -20~85°C
Over current/ Short protection	The power supply will self-protect any output to ground & auto recovery when abnormal circuit faults remove. An output short circuit is defined as any output impedance less than 0.1 ohms.	Humidity	Operating: 8%~90%RH / Storage: 5%~95% RH non condensing
Over Voltage	The power supply will be auto recovered when faults remove	WEIGHT	
Input protection	F1 1A/250V Fuse The power supply shall be protected against power line surges and any abnormal condition	NW: 80g/pc	
No Load protection	The power supply is provided with no load operation to prevent the power supply and system from damage.	GW: 12kg/box	
Protection class	II, (ITU-T K.21 Surge 6KV on request)	PACKING	
		PE plastic bag	80 pcs /1 box

Mechanical case specification:



Mechanical specification (country housing):

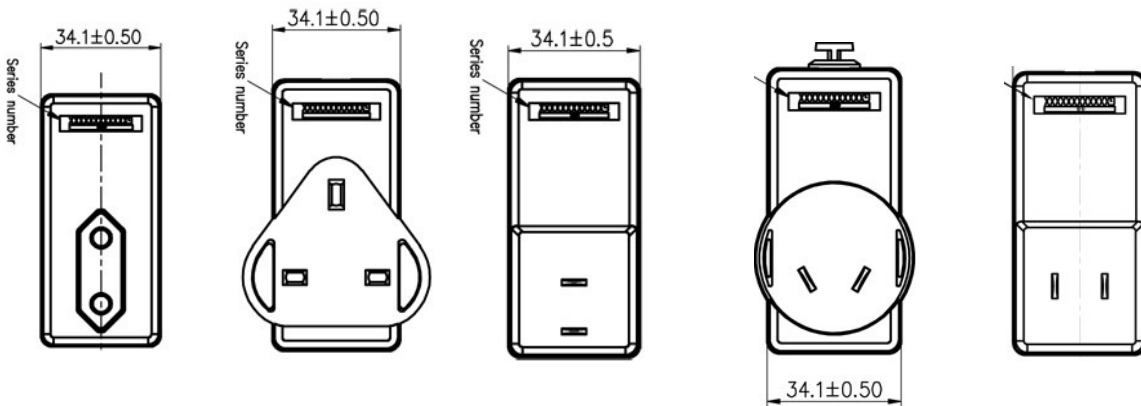
Europe type (W2E)

UK type (W3U)

US / Japan type (W2)

Australia type (W2A)

China type (W2C)



Cable specification:

