

Country of Origin : China
 Operating Temperature : 0~40 [°C]
 Dimension : 64 x 40.5 x 25.5 [mm]
 Efficiency level (ErP) : VI



Approvals / Marks :



Specifications

Model	Voltage DC [V]	Loading [A]	Max. Power [W]	Ripple / Noise [mV] p-p	Connector [mm]
SYS1573-0605-Wxx	5	0~1.2	6	150	2.1x5.5x11
SYS1573-0605-Wxx	5	0~1.2	6	150	mini USB
SYS1573-0605-Wxx	5	0~1.2	6	150	micro USB
SYS1573-0605-Wxx	5	0~1.2	6	150	USB inlet
SYS1573-0612-Wxx	12	0~0.5	6	200	2.1x5.5x11

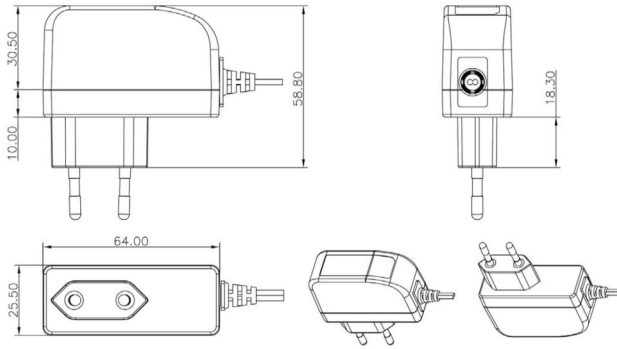
Features:

PSU housing ready for use in country : Wxx = W2E - Europe | W3U - England | W2 - USA, Canada | W2C - China | W2K - Korea | W2J - Japan
 Output connector: standard: 2.1 x 5.5 x 11mm or customer requirement | Regulated Output With Low Ripple Noise | Safety Agency Requirements and EMI/EMS Certified
 Private Label Marking Available | Modified and Custom Design Available | 2 Years Warranty

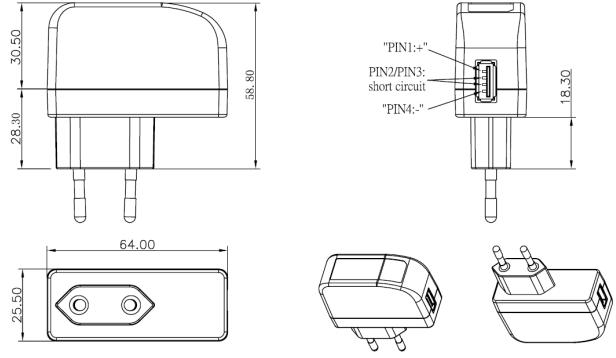
OUTPUT		CE	
Turn delay	3000 ms max @ AC low line input@output full load	EMC	2014/30/EU
Hold up time	5ms min@AC nominal input@output full load (>half cycle)	LVD	2014/35/EU EN 60950-1:2006+A11+A1+A12+A2
Efficiency (Normal)	Meet CEC,DOE,ERP,MEPS Level VI @115v/60HZ,230V/50HZ	SAFETY	
Transient response (dv,tmax)	0.4v dv max At AC nominal input loading from 50% load to max load or peak load 6ms tmax Dynamic rise time 10uS max , duty 40mS max , Dynamic load step is slew rate of 0.5A/uS	cULus FCC CB PSE BSMI	
Power out.Limit	Peak 7W for model 0605	OTHERS	
Burn in limit	Full load 2 Hours	Dielectric Strength (Hi-pot)	Primary to Secondary:3000VAC 10mA/60S
Power consumption	Less than 0.075W ms max. At AC nominal input@output min load	M.T.B.F	500,000 Calculated Hours at 25°C, by Telcordia SR-332
INPUT		Cable Length	1830mm (6 feet) standard 2 wire cable or as required
Voltage	(90~264)VAC	PLD (power line disturbance)	Line power surge Line voltage SAG-more info on request
Frequency	(47~63)hz	Cooling method	Natural Convection Cooling
Current	0.5A rms @ AC low line input and DC output full load	Housing material	PC or PPO
Inrush Surge Current (cold start)	30/60A max@power supply cold start,ambient temperature 25°C @ 115Vac/230Vac nominal AC input	Temperature coefficient:	< ±0.5% / °C
leakage current	0.25mA Max	ENVIRONMENT	
PROTECTION		Temperature	Operating: 0~40°C / Storage: -20~85°C
Over current/ Short protection	The power supply will self-protect any output to ground & auto recovery when abnormal circuit faults remove. An output short circuit is defined as any output impedance less than 0.1 ohms.	Humidity	Operating: 8%~90%RH / Storage: 5%~95% RH non condensing
Over Voltage	The power supply will be auto recovered when faults remove	WEIGHT	
Input protection	F1 1A/250V Fuse The power supply shall be protected against power line surges and any abnormal condition	NW: 50g/pc	
No Load protection	The power supply is provided with no load operation to prevent the power supply and system from damage.	GW: 7kg/box	
Protection class	II	PACKING	
		PE plastic bag	80-100 pcs /1 box

Mechanical case specification:

1) SYS1573-series (W2E)

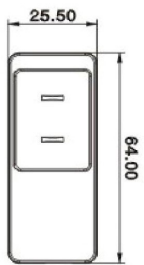


2) SYS1573-series (W2E) / USB inlet

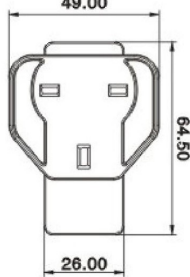


Mechanical specification (country housing): more detailed drawings on request

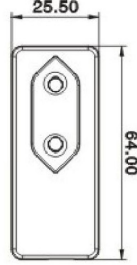
US / Canada type (W2)



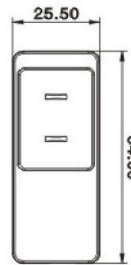
UK type (W3U)



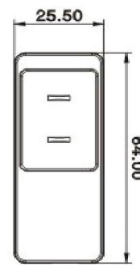
Europe type (W2E)



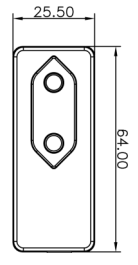
China type (W2C)



Japan type (W2J)

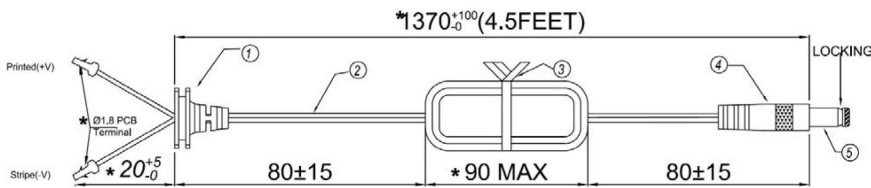


Korea (type W2K)

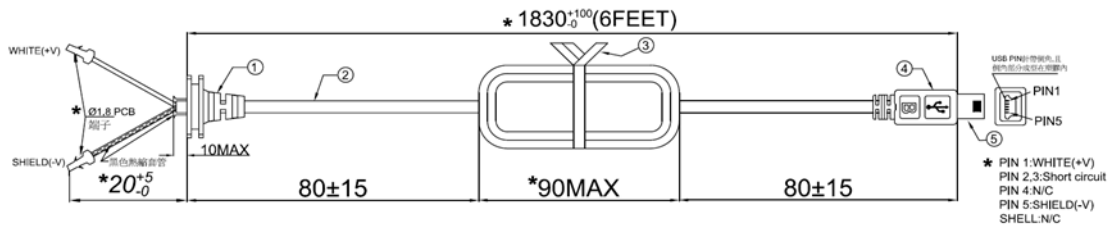


Cable specification:

a) 2.1*5.5*11 (2468#24*2C / 5FT)



b) mini USB (1185#22*1C+SHIELD / 6FT)



c) micro USB (1185#22*1C+SHIELD / 6FT)

