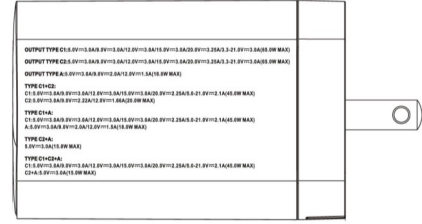
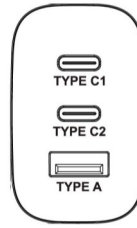


Country of Origin : China
 Efficiency level (ErP) : VI



GREEN MODE **RoHS**



Specifications

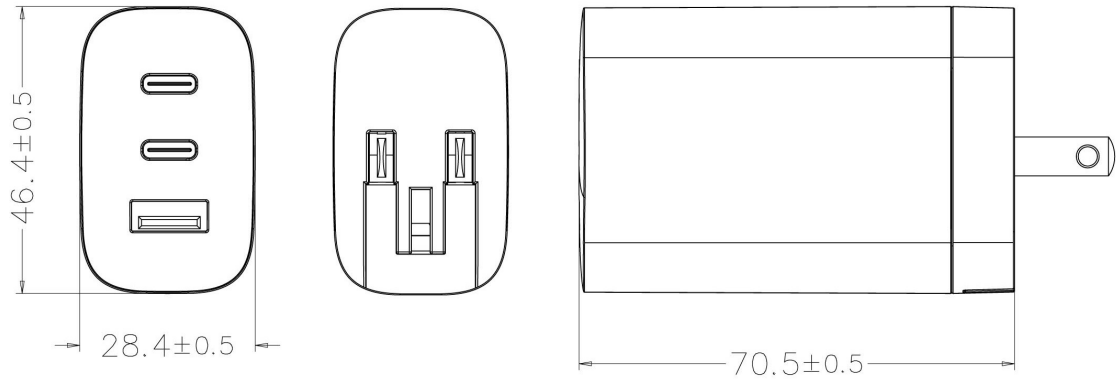
Model	Output port	Output Specification	Max Power (W)
SYS1101	Type C1	5V/3A, 9V/3A, 12V/3A, 15V/3A, 20V/3.25A 3.3-21V/3A (65W max)	65
	Type C2	5V/3A, 9V/3A, 12V/3A, 15V/3A, 20V/3.25A 3.3-21V/3A (65W max)	65
	Type A	5V/3A, 9V/2A, 12V/1.5A (18W max)	18
	Type C1+C2	C1: 5V/3A, 9V/3A, 12V/3A, 15V/3A, 20V/2.25A 5.0-21V/2.1A (45W max) + C2: 5V/3A, 9V/2.22A, 12V/1.66A (20W max)	65
	Type C1+A	C1: 5V/3A, 9V/3A, 12V/3A, 15V/3A, 20V/2.25A 5.0-21V/2.1A (45W max) + A: 5V/3A, 9V/2A, 12V/1.5A (18W max)	63
	Type C2+A	C2+A: 5V/3A (15W max)	15
	Type C1+C2+A	C1: 5V/3A, 9V/3A, 12V/3A, 15V/3A, 20V/2.25A 5.0-21V/2.1A (45W max)+ C2+A: 5V/3A (15W max)	60

Features:

GaN technology Power Supply
 Auto-detect the charging voltage and current for Type C and ios devices
 Support PD3.0 | QC3.0 | PPS protocols
 Changeable plugs ready for use in countries:
 Wxx = W2E - Europe | W3U - England | W2 - USA, Canada, Japan (fixed) | W2A - Australia | W2G - Argentina | W2K - Korea | W2C - China | W2I - India
 Output connector: Regulated Output With Low Ripple Noise | Safety Agency Requirements and EMI/EMS Certified
 Private Label Marking Available | 2 Years Warranty

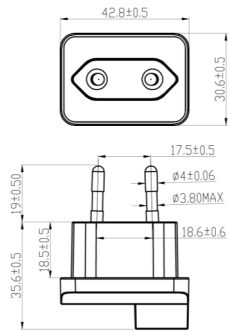
INPUT OUTPUT	Voltage	90-264VAC
	Current	2.0A rms max At AC low line input and DC output full load
	Power consumption	0.21W max. with output no load at 115VAC/230VAC input
	Efficiency	Meet ERP level VI
	Turn delay	3000mS max. 3S max on the condition that input volotage 230V, full load
	Ripple noise	300mV
	Burn-in	2 Hour Full Load
PROTECTION	Over current Short protection	Fold back
	Input protection	3.15A/250V Fuse The power supply shall be protected against power line surges and any abnormal condition
	Protection class	Class II
SAFETY	CE EMC	2014/30/EU
	CE LVD	2014/35/EU EN IEC 62368-1:2020+A11:2020
	Safety approvals	CE FCC
	Dielectric Strength (Hi-pot)	IEC 320 2pin primary to secondary 4000Vdc 10mA 1min
	Leakage current	0.25 mA max.
ENVIRONMENTAL	Temperature	Operating: 0~35°C / Storage: -20~85°C
	Humidity	Operating: 8%~90%RH / Storage:5%~95% RH
	Cooling	Natural Convection Cooling
OTHER	MTBF	MTBF shall be least 50,000 hours at 25°C (MIL-HDBK-217F)
	Weight	105g
	Dimension	71x28x46 mm
	Packing	80 pcs 1 box

Mechanical case specification: + fixed plug US / Japan type (W2)

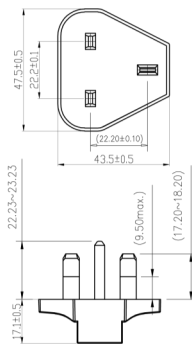


Mechanical specification (country housing) suitable with 1621 series:

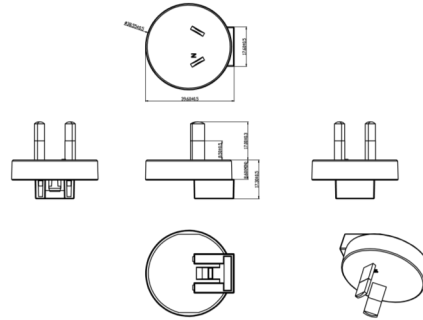
Europe type (W2E)



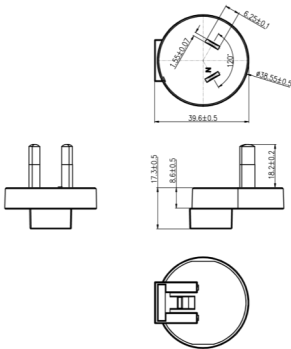
UK type (W3U)



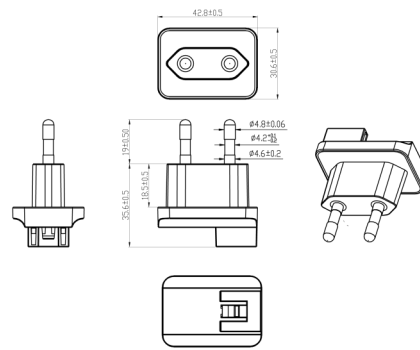
Australia type (W2A)



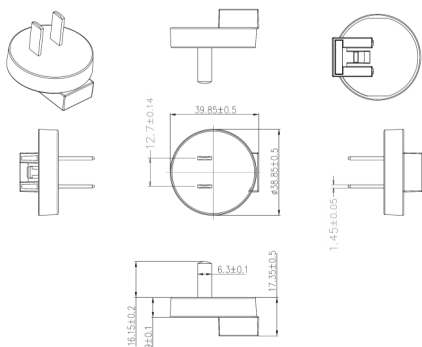
Argentina (W2G)



Korea (W2K)



China (W2C)



India (W2I)

