

Country of Origin : China
 Operating Temperature : 0~40 [°C]
 Efficiency level (ErP) : VI



GREEN MODE **RoHS**



Specifications

Basic Models	Voltage DC [4.0V~24V]	Loading [A]	Max. Power [W]	Ripple / Noise [mV] p-p	Connector [mm]
SYS1052-0605-W2E	5	0~1.2	6	200	2.1x5.5x11
SYS1052-0606-W2E	6	0~1.0	6	200	2.1x5.5x11
SYS1052-06075-W2E	7,5	0~0.8	6	200	2.1x5.5x11
SYS1052-0609-W2E	9	0~0.66	6	200	2.1x5.5x11
SYS1052-0312-W2E	12	0~0.25	3	200	2.1x5.5x11
SYS1052-0612-W2E	12	0~0.5	6	200	2.1x5.5x11
SYS1052-0615-W2E	15	0~0.4	6	200	2.1x5.5x11
SYS1052-0618-W2E	18	0~0.33	6	200	2.1x5.5x11
SYS1052-0624-W2E	24	0~0.25	6	200	2.1x5.5x11

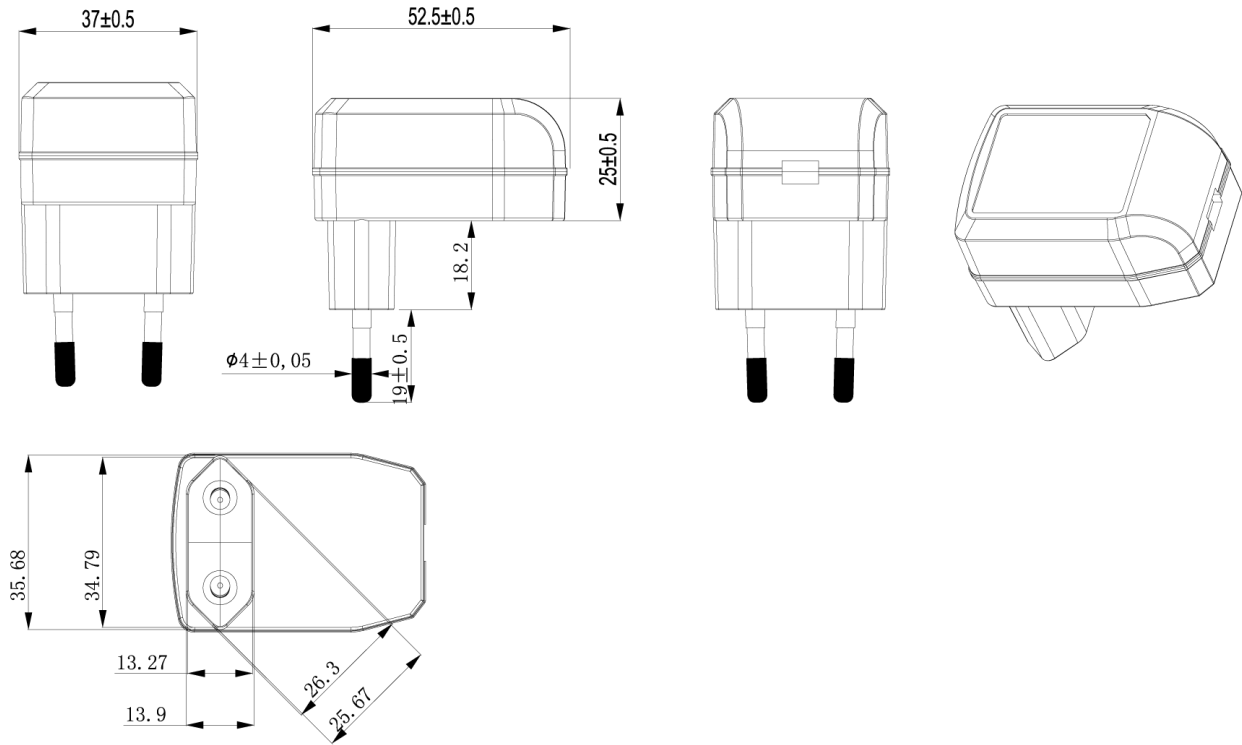
Features:

PSU housing = W2E - Europe | W2 - USA,Canada,Japan | W3U - UK | W2A - Australia | W2C - China
 For all models, the minimum rising step of output voltage is 0.1V - 4.0V~24V 6W max | Private Label Marking Available | 2 Years Warranty

INPUT OUTPUT	Voltage	90-264VAC
	Current	0.2A max At 100VAC & 240VAC@full load
	Inrush Current	30/40A max At cold start, ambient temperature 25°C nominal AC input 100VAC/240VAC
	Power consumption	0.1W max. with output no load at 115VAC/230VAC input
	Efficiency	Meet ERP level VI
	Hold up time	8mS min At AC nomind input @ output full load
	Turn delay	5000mS max. At AC low line input @ output full load
	Ripple noise	200mV
Burn-in	220VAC 100% Load (Ref) 4hours & 40°C +/- 5°C	
PROTECTION	Over current Short protection	Automatic recovery
	Over Voltage	The power supply shall be self-recovering when the fault condition is removed
	Input protection	The switching adaptor use 0.68-10R fuse
	Protection class	Class II
SAFETY	CE EMC	2014/30/EU
	CE LVD	2014/35/EU EN 62368
	Safety approvals	GS CE CB UKCA
	Dielectric Strength (Hi-pot)	AC3000V,5.0mA,1 minute for type test
	Leakage current	In 264VAC input 0.25mA max.
ENVIRONMENTAL	Temperature	Operating: 0~40°C / Storage: -40~70°C
	Humidity	Operating: 20%~80%RH / Storage:5%~95% RH
	Cooling	Natural Convection Cooling
OTHER	MTBF	MTBF shall be least 50,000 hours at 25°C (MIL-HDBK-217F)
	Weight	58±3.5 g
	Dimension	53x37x62 mm
	Packing	100 pcs 1 box

Mechanical specification:

W2E - Europe version



Cable specification:

