

Country of Origin : China
 Operating Temperature : 0~40 [°C]
 Dimension : 58 × 58 × 28 [mm] (for 30W model)
 65 × 65 × 28[mm] (for 45&60W models)
 Efficiency level (ErP) : VI

Approvals / Marks :



Specifications

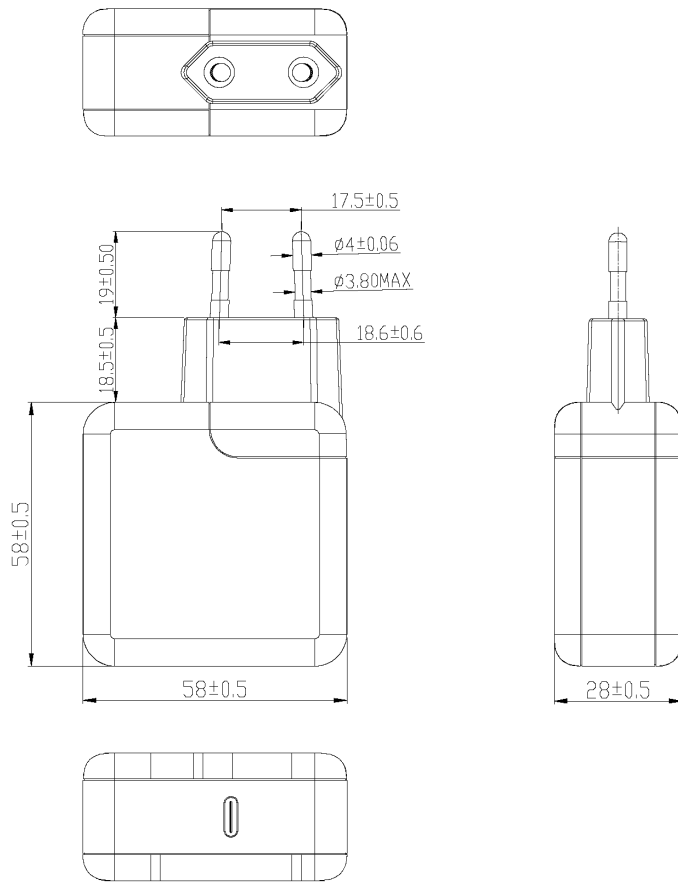
Model	Voltage DC>Loading [V/A]	Max. Power [W]	Ripple / Noise [mV] p-p	Connector
SYS1621-Type C 30	5V/3A, 9V/3A, 12V/2.5A, 15V/2A, 20V/1.5A	30	150	USB-C
SYS1621-Type C 45	5V/3A, 9V/3A, 12V/3A, 15V/3A, 20V/2.2A	45	150	USB-C
SYS1621-Type C 60	5V/3A, 9V/3A, 12V/3A, 15V/3A, 20V/3A	60	200	USB-C

Features:

PSU housing ready for use in country : Wxx = W2E - Europe
 Output connector: Regulated Output With Low Ripple Noise | Safety Agency Requirements and EMI/EMS Certified
 Private Label Marking Available | Modified and Custom Design Available | 2 Years Warranty | Power delivery

OUTPUT		CE	
Turn delay	5000 ms max @ AC low line input@output full load	EMC	2014/30/EU
Hold up time	10ms min@AC nominal input@output full load (>half cycle)	LVD	2014/35/EU EN 60950-1:2006+A11+A1+A12+A2
Efficiency (Normal)	Meet CEC,DOE,ERP,MEPS Level VI@115v/60HZ,230V/50HZ	SAFETY	
Transient response (dv,tmax)	0.4v dv max At AC nominal input loading from 50% load to 16ms tmax Dynamic rise time 10uS max , duty 40mS max ,	CE	
Power out.Limit	30-60W based on the model	OTHERS	
Burn in limit	Full load 2 Hours	Dielectric Strength(Hi-pot)	Primary to Secondary:3000VAC 10mA/60S
Power consumption	0.075W for Type C 30W and 45W	M.T.B.F	500,000 Calculated Hours at 25°C, by Telcordia SR-332
INPUT		DC output	Type C
Voltage	(90~264)VAC	PLD (power line disturbance)	Line power surge Line voltage SAG-more info on request
Frequency	(47~63)hz	Cooling method	Natural Convection Cooling
Current	1.5A rms @ AC low line input and DC output full load	Housing material	PC
Inrush Surge Current (cold start)	40/60A max@power supply cold start,ambient temperature 25°C @115Vac/230Vac nominal AC input	Temperature coefficient:	<±0.5%/°C
leakage current	0.25mA Max	ENVIRONMENT	
PROTECTION		Temperature	Operating: 0~40°C / Storage: -20~85°C
Over current/ Short protection	The power supply will self-protect any output to ground & auto recovery when abnormal circuit faults remove. An output short circuit is defined as any output impedance less than 0.1	Humidity	Operating: 8%~90%RH / Storage: 5%~95% RH non condens-ing
Over Voltage	The power supply will be auto recovered when faults remove	WEIGHT	
Input protection	F1 2A/250V Fuse The power supply shall be protected	NW: 150g/pc	
No Load protection	The power supply is provided with no load operation to	GW: 16kg/box	
Protection class	II	PACKING	
		PE plastic bag	100 pcs /1 box

Mechanical case specification:



58 × 58 × 28 [mm] (for 30W model)

65 × 65 × 28 [mm] (for 45&60W models)