

Country of Origin : China
 Efficiency level (ErP) : VI



GREEN MODE **RoHS**



Specifications

Model	Voltage DC [V]	Loading [A]	Max. Power [W]
ATS 200T-P120-T3	12	0~16.0	192
ATS 200T-P240-T3	24	0~8.3	200
ATS 200T-P480-T3	48	0~4.2	200

Features:

Compliant to DoE 2016 (Level VI) | ErP Stage 2, NRCan & GEMS Level VI | No Load Power Consumption < 0.1 W | Regulated Output with Low Ripple Noise | 1 Year Warranty

INPUT

Voltage	AC 100 V – 240 V
Frequency	50 Hz - 60 Hz
Current	2.8 A max.
Protection	Internal Primary Current Fuse, Inrush Limiting

OUTPUT

Load Regulation	± 5 % (typical)
Ripple	1 % – 2 % V p-p max. for output voltage at full load
Transient Response	0.5 ms for 50 % load change typical
Leakage Current	0.25 mA max.
Protection	Short circuit Protection • Over Voltage Protection • Over Current Protection

OTHERS

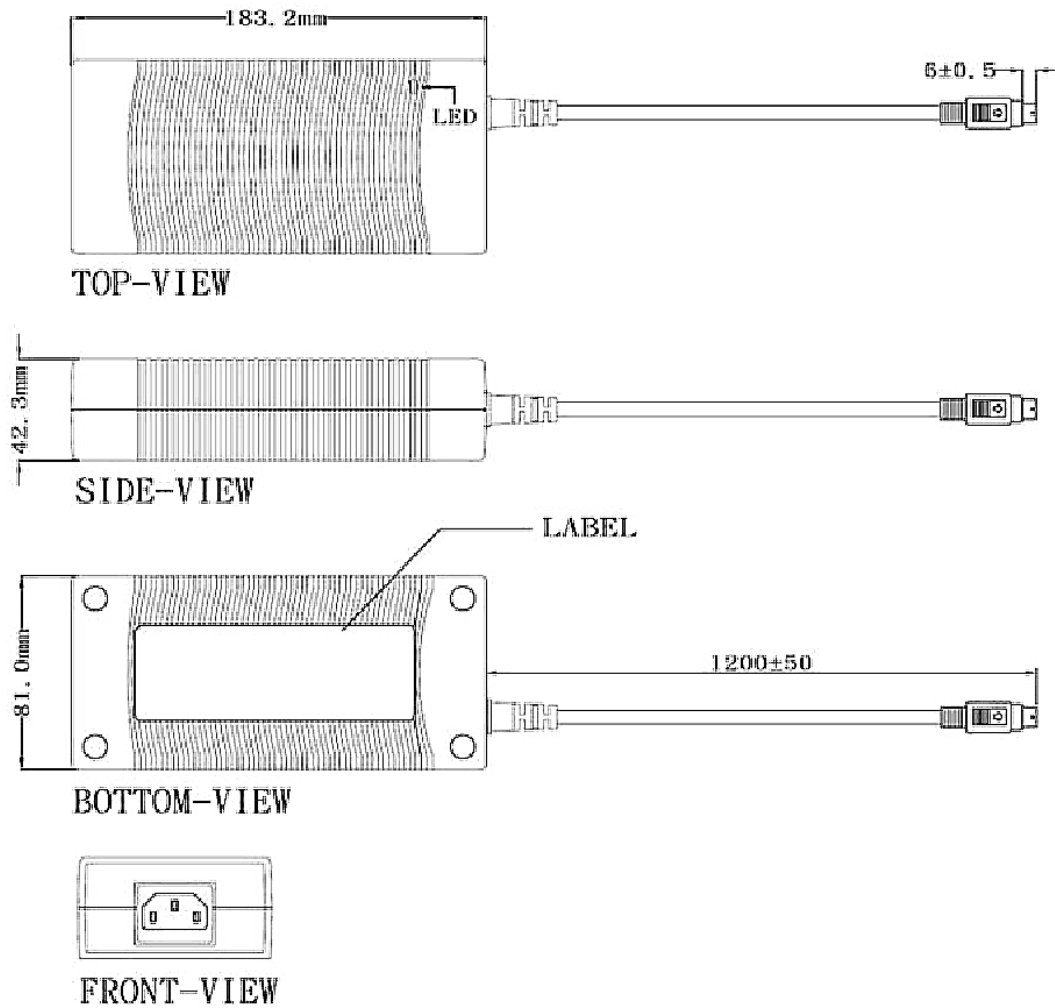
Cooling	Convection
Efficiency	DoE Level VI • Energy Star • ErP Stage 2 • NRCan & GEMS Level VI Certified
Holdup Time	10 ms at full load
Dielectric Withstand	AC 3000 V Primary – Secondary
MTBF	300,000 calculated hours at 25 °C by telcordia SR-332

ENVIRONMENT

Temperature	Operating: 0 °C – 40 °C / Storage: -20 °C – 80 °C
Humidity	Operating: 20 % RH – 80 % RH / Storage: 10 % RH – 90 % RH

Safety	EN 62368 • CE • PSE • UKCA
Case Dimensions	183x 81x 42 mm
Weight	820 g

Mechanical case specification:



Cable specification:

P1= (+V) | P2= (+V) | P3= (-V) | P4= (-V) | SHIELD=Not Connected

