
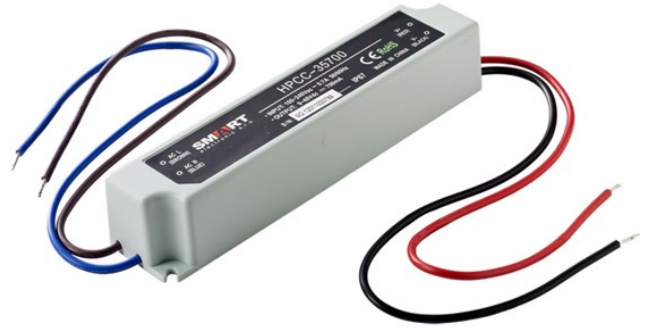


LED Driver : Constant Current
 Operating Temperature : -10 ~ +50 [°C]
 Dimension : 148 x 40 x 30 [mm]
 Built-in : Active PFC
 Approvals / Marks : 



Features:

- Built-in active PFC function
- Constant current mode power supply - Suitable for LED lighting and moving sign applications
- Universal AC input / Fully encapsulated with IP67 (for indoor and outdoor use)
- Small and compact size | UL1310 Class II power unit, pass LPS
- Protections: Short circuit & Over current / 100% full load burn-in test

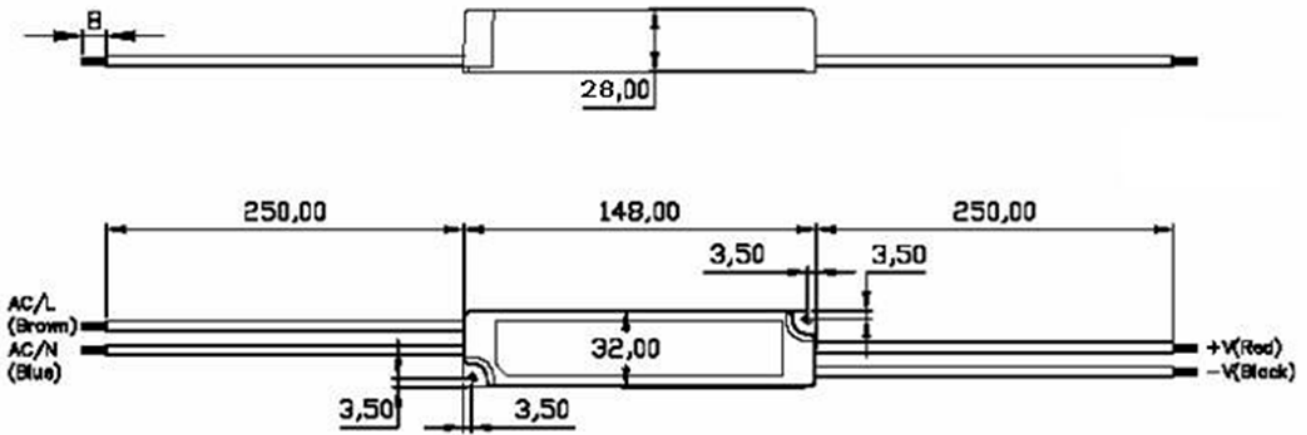
Specification:

	Model	Current [mA]	Output Tol. [%]	Voltage [V]	Voltage Range [V]	Efficiency [%]	For LED [pcs]	Max. Power [W]	Ripple & Noise [V] p-p	
	HPCC-35350P	350±3%	±3	80	40~80	84	12~22	28	5	
	HPCC-35700P	700±3%	±3	48	24~48	84	8~13	34	5	
INPUT	Voltage	(100 ~ 240)VAC								
	Frequency	(47 ~ 63)Hz								
	Current	0.6A/100VAC 0.3A/200VAC								
	Inrush Current max.	cold start 70A/240VAC								
	Leakage current	0.5mA/240VAC								
PROTECTION	Over current	Above 105% rated output power. Protection type: Hiccup mode, recovers automatically after fault condition is removed.								
	Over Voltage	-								
	Protection class	UL1310 Class 2 power unit								
	Over temperature	Tj 140°C typically (IC1) Detect on main control IC Protection type: Hiccup mode, recovers automatically after temperature goes down.								
	No Load Operation	-								
OTHERS	Isolation Resistance	I/P-O/P:>100MΩ / 500VDC / 25~70% RH								
	Set up time	1500ms								
	Hold-up Time	50ms/200VAC								
	MTBF Qualification	30K hrs @ full load 25 °C; ambient temperature and 20k hrs @ full load 50 °C								
	AC cable / DC cable	-								
	Rise time	250ms								
	Line regulation	±1.0%								
	Burn in	100% full load burn-in test								
	PFC	Active								
	Load regulation	±2.0%								
ENVIRONMENT	Temperature	Operating: (-10 ~ +50)°C / Storage: (-40 ~ 80)°C								
	Humidity	Operating: (20 ~ +90)%RH / Storage: (10 ~ 95)%RH Non-condensing								
	Vibration	10 ~ 500Hz, 2G 10min./1cycle, period for 60min. each along X,Y, Z axes								
	Temp. Coefficient	±0.03%/°C (0~50)[°C]								

CERTIFICATION & SAFETY Safety EN61347-1, EN61347-2-13 | Immunity EN61547 | Harmonic EN61000-3-2 | Magnetic Emission EN55015 | RoHS compliant | CE mark / compliant | UL standard design | Pass LPS | UL 1310 Class II power unit

SAFETY & EMC	Withstand voltage	I/P-O/P:3KVAC
	Safety standards	Design refer to UL1310 Class 2,TUV EN60950-1, EN61347-2-13, CAN/CSA C22.2 No. 223-M91, meet IP67
	EMS Immunity	Compliance to EN61000-4-2,3,4,5,6,8,11; ENV50204, EN55024, light industry level, criteria A
	EMI conduction & radiation	Compliance to EN55022 (CISPR22) Class B
	Harmonic current	EN61000-3-2,-3
		HPCC-35xxxP
WEIGHT	1pc	N.W.: 214g G.W.: 227g
		0.35 x 0.33 x 0.25 [m]
PACKING	Box	100pcs / 1box
		G.W.: 24 kg / box

Mechanical case and cable specification:



Block diagram:

