


Country of Origin : China
 Operating Temperature : 0~40 [°C]
 Dimension : 132 x 57 x 16.5 [mm]
 Efficiency level (ErP) :
 Approvals / Marks :



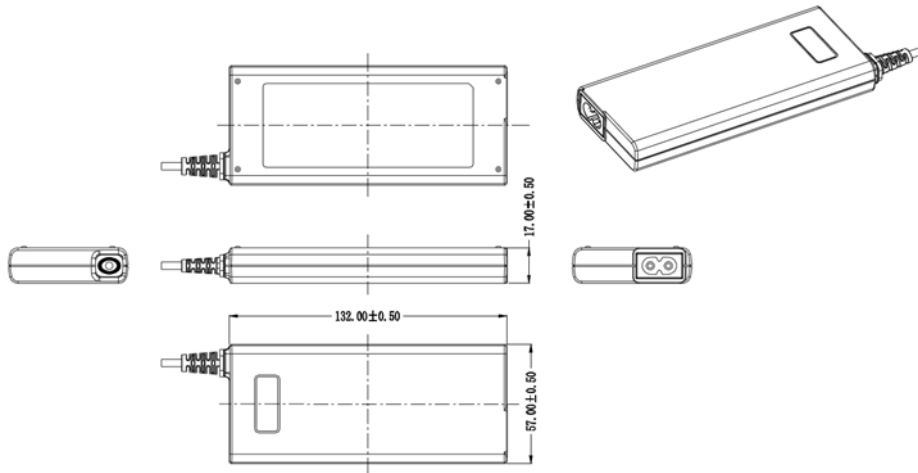
Features:

Green Product = High efficiency circuitry that generates little heat : CEC V.	Available in inlet version: C8 (T2) 
Extra safe design Built-in EMI filter Super Slim Model <17mm Perfect protection function.	
Simple design philosophy.	
For I.T.E. use only + RoHS conform + Green Power	

Specification:

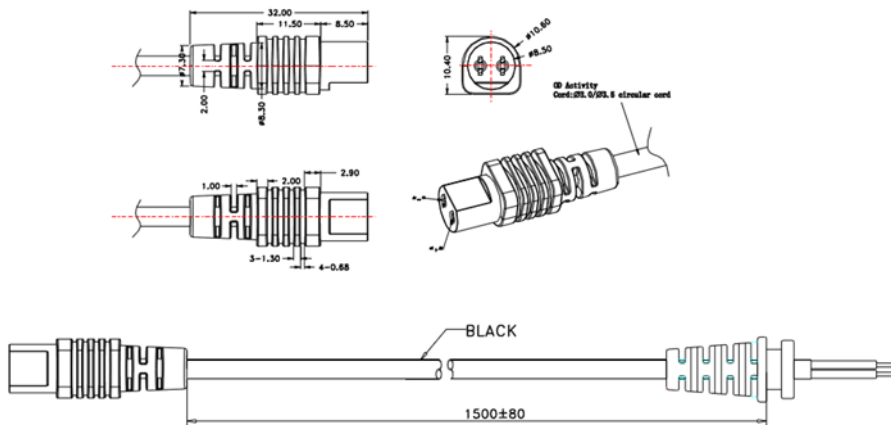
	Model	Voltage DC [V]	Loading [A]	Line/Road regulation [%]	OVP [V]	OCP [A]	Max. Power [W]	Ripple & Noise [mV] p-p	Connector [mm]
ErP V.	SKAC-6519-ST2	19	0.05~3.42	±5	-	-	65	300	1.7x5.5x11
OEM Production	The product is certified for output voltage (16~24)V by 0.1V step for maximum output power 65W								
OUTPUT	Turn on delay	6000 ms max @ AC low line input@output full load							
	Hold up time	10ms min @ AC nominal input@ output full load (> half cycle)							
	Rise time	<20ms to rise to within regulation limits for all DC outputs							
	Efficiency (Normal)	>87% (Level V) @ 240VAC input & Full load							
	Over-shoot	<7% of nominal voltage value							
	Output LED	No							
INPUT	Voltage, operating range	(90 ~ 264)VAC							
	Frequency	(47 ~ 63) Hz							
	Current	1.5A rms @ AC low line input and DC output full load							
	Inrush Surge Current (cold start)	80A max @ power supply cold start, ambient temperature 25°C @ 230Vac nominal AC input.							
	Leakage current	≤0.25 mA Max.							
	Maximum input power	74.69W							
	Power consumption	0.5W rms max.							
PROTECTION	Over Current	The power supply will be protection when output power at (110-200)% of all rated dc output							
	Short-circuit	The adapter shall not damage and with auto recovery function by short the DC output to Ground							
	Over Voltage	28.5V max. The output voltage shall be clamped by internal protection zener							
	Input protection	An adequate internal fuse on the AC input line is provide							
	Insulation resistance	Input to Output: 10MΩ(MIN.) at 500VDC							
	Dielectric Strength (Hi-pot)	Primary to Secondary: 3000VAC / 5mA / 60s							
	Reinforced insulation system	Primary-to-Ground and Primary-to-Secondary							
	Protection class	II.							
OTHERS	M.T.B.F	500,000 Calculated Hours at 25°C, by Telcordia SR-332							
	Cable length	1500mm (5feet) VW-1 80°C 300V 1185 3.5Q 18AWG Black (PAHS, REACH) round cable or depends on customer requirements							
	Cooling method	By natural air, the maximum room ambient temperature for externap PSU is 40°C (mentioned in clause 1.4.12 of IEC 60950-1)							
	Housing matherial	PPHOX (UL94V-1 SE-1) Black							
	Temperature coefficient:	< ±0.5% / °C							
ENVIRONMENT	Temperature	Operating: (0 ~ 40)°C / Storage: (-20 ~ 80)°C							
	Humidity	Operating: 10% ~ 90% RH / Storage: 10% ~ 90% RH non condensing							
SAFETY	CE TUV/GS cULus FCC								
EMC	UL 60950 TUV/VDE-EN60950 CE EN 60950-1								
WEIGHT	1pc	N.W.: 242g G.W.: 265g							
		0.51(L) x 0.36(W) x 0.19(H) [m]							
PACKING	Box	45 pcs / 1box							
		G.W.: 12.8kg							

Mechanical case specification:



Cable specification:

a) UNI type (1185/18AWG*1C)



b) Detailed specification of UNI connectors

