



Country of Origin : China
 Operating Temperature : 0~40 [°C]
 Dimension : 153 x 67 x 18.5 [mm]
 Efficiency level (ErP) : 
 Approvals / Marks :



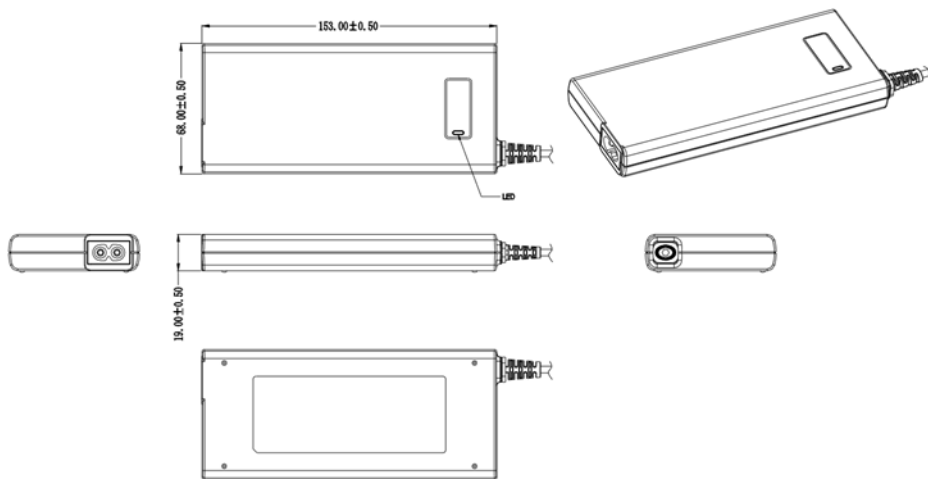
Features:

Green Product = High efficiency circuitry that generates little heat : CEC V.	Available in inlet version: C8 (T2) 
Extra safe design Built-in EMI filter Super Slim Model <17mm Perfect protection function.	
Simple design philosophy. Super SLIM design	
For I.T.E. use only + RoHS conform + Green Power	

Specification:

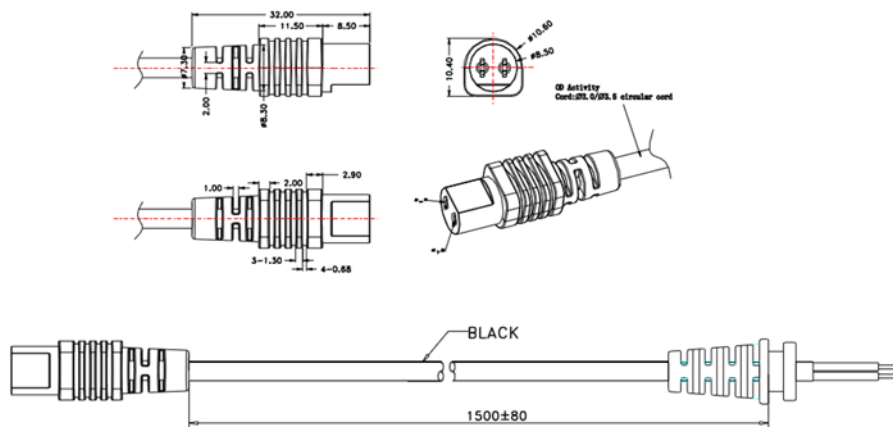
	Model	Voltage DC [V]	Loading [A]	Line/Road regulation [%]	OVP [V]	OCP [A]	Max. Power [W]	Ripple & Noise [mV] p-p	Connector [mm]		
ErP V	SKFS-9020-ST2	20	0.05~4.50	±5	-	-	90	300	2.5x5.5x11		
OUTPUT	Rated Input Current	1.3A max.									
	Input current (no loading)	≤40mA									
	Turn on delay	3000 ms max @ AC low line input@output full load									
	Hold up time	10ms min @ AC nominal input@ output full load (> half cycle)									
	Rise time	<30ms to rise to within regulation limits for all DC outputs									
	Efficiency (Normal)	Output LED	>87% (Level V) @ 240VAC input & Full load								
	Over-shoot	<7% of nominal voltage value									
INPUT	Voltage, operating range	(90 ~ 264)VAC									
	Current	Frequency	1.3A rms @ AC low line input and DC output full load								
	Inrush Surge Current (cold start)	80A max @ power supply cold start, ambient temperature 25°C @ 230Vac nominal AC input.									
	Leakage current	≤0.25 mA Max.									
	Maximum input power	103.52W									
	Power consumption	0.5W rms max.									
PROTECTION	Over Current	The power supply will be protection when output power at (110-200)% of all rated dc output									
	Short-circuit	The adapter shall not damage and with auto recovery function by short the DC output to Ground									
	Over Voltage	28.5V max. The output voltage shall be clamped by internal protection zener									
	Input protection	An adequate internal fuse on the AC input line is provide									
	Insulation resistance	Input to Output: 10MΩ(MIN.) at 500VDC									
	Dielectric Strength (Hi-pot)	Primary to Secondary: 3000VAC / 5mA / 60s									
	Reinforced insulation system	Primary-to-Ground and Primary-to-Secondary									
	Protection class	II.									
OTHERS	M.T.B.F	500,000 Calculated Hours at 25°C, by Telcordia SR-332									
	Cable length	1500mm (5feet) VW-1 80°C 300V 1185 3.5Q 18AWG Black (PAHS, REACH) round cable or depends on customer requirements									
	Cooling method	By natural air, the maximum room ambient temperature for external PSU is 40°C (mentioned in clause 1.4.12 of IEC 60950-1)									
	Housing matherial	PPhOX (UL94V-1 SE-1) Black									
	Temperature coefficient:	< ±0.5% / °C									
ENVIRONMENT	Temperature	Operating: (0 ~ 40)°C / Storage: (-40 ~ +80)°C									
	Humidity	Operating: 5% ~ 90% RH / Storage: 5% ~ 90% RH non condensing									
SAFETY	CE TUV/GS cULus FCC										
EMC	UL 60950 TUV/VDE-EN60950 CE EN 60950-1										
WEIGHT	1pc	N.W.: 309g G.W.: 342g									
PACKING	Box	0.41(L) x 0.41(W) x 0.19(H) [m]									
		30 pcs / 1box									

Mechanical case specification:



Cable specification:

a) UNI type (1185/18AWG*1C)



b) Detailed specification of UNI connectors

