



Country of Origin : China  
 Operating Temperature : 0~40 [°C]  
 Dimension : 85 x 36 x 26 [mm]  
 Suitable cable : IEC320-C5  
 Efficiency level (ErP) :   
 Approvals / Marks : 


**Features:**

Single Output.

Wide input voltage (100~240)VAC with IEC 320-C5

High Performance.

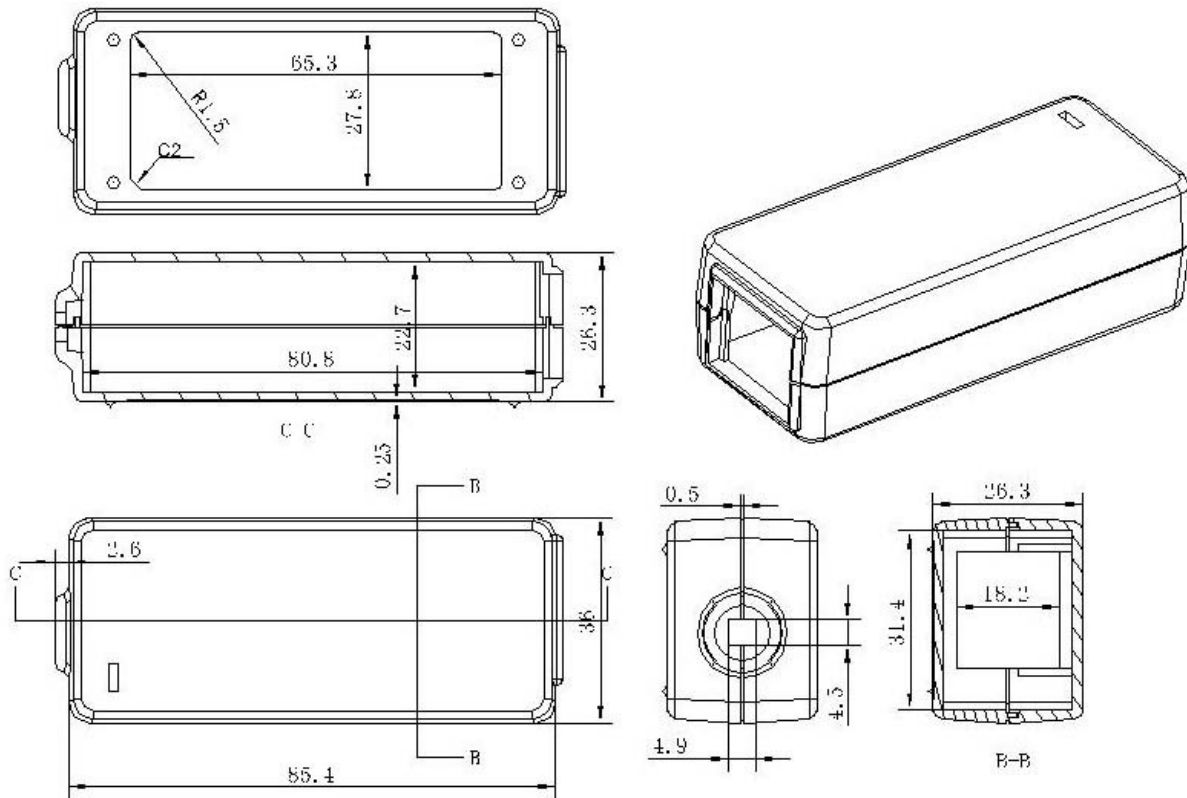
Overload &amp; Short circuit protection.

For I.T.E. use only + RoHS conform.

**Specification :**

	Model	Voltage DC [V]	Loading [A]	Tolerance [V]	Max. Power [W]	Connector [mm]
<b>Erp V.</b>	<b>STXX-3007.5-M3</b>	<b>7.5</b>	<b>0~4.00</b>	<b>±0.5</b>	<b>30</b>	<b>2.5x5.5x11-L</b>
<b>INPUT</b>	Voltage	(100 ~ 240)VAC				
	Frequency	(47 ~ 63) Hz				
	Current	0.6A rms@ AC low line input and DC output full load				
	Inrush Current	Maximum inrush current shall be less than 40A at 240Vac input.				
	Efficiency	80% Min. measured at 240Vac input voltage, maximum load and include the DC cable loss.				
<b>PROTECTION</b>	Over Current	The power supply shall be protected when output current over each peak current For example when the output voltage is 7.5V, the power supply shall be protect when the output current over 6A.				
	Over Voltage	The power supply shall be protected when output voltage over 16V				
	Over Temperature	Yes, The power supply shall be protected when the temperature inside over 70°C ± 3				
	Short Circuit	Yes, The adapter is protected when a short happened between the output terminals and shall not result in a fire hazard, any damage to this adapter and will be normal operation automatically while the short is removed.				
<b>OTHERS</b>	Startup time	-				
	Material case	PC. Class 94V-0				
	Dielectric Withstand Voltage(HI-POT)	100% of line products of this adapter shall be applied 3000VAC or 4200VDC for a minimum of 1 minute between AC input terminals and output terminals. The cut off current is specified as 10mA.				
	Leakage Current	The measured reading is less than 0.10mA at 240 V AC,50Hz.				
<b>ENVIRONMENT</b>	Insulation Resistance	The resistance is more than 100MΩ at apply 500 VDC between input terminals and Case. The resistance is more than 100MΩ at apply 500 VDC between input terminals and output terminals.				
	Temperature	(0 ~ 45)°C				
<b>CONNECTION</b>	Humidity	10% ~ 90% RH				
	Input	Suitable cable: IEC 320-C5				
<b>SAFETY</b>	Output cord	6A BLACK 1.5M ± 20mm				
	<b>Safety</b>		CE			
<b>WEIGHT</b>	Safety	EN 60950-1:2006 +A11:2009				
	<b>Weight</b>		N.W.: 0.205kg/pc			
<b>PACKING</b>	<b>Box</b>		50pcs / 1box			
			G.W.: 15 kg/box			

**Mechanical case specification:**



**Cable specification:**

