


Country of Origin : China
 Operating Temperature : 0~40 [°C]
 Dimension : 116 x 49 x 39 [mm]
 Car adapter : DC-DC convertor
 Approvals / Marks : 


Features:

Car adapter for notebook can be used in a cars and trucks.

Wide range Input (11 ~ 28)VDC.

Output current & output Voltage protection.

Power ON LED.

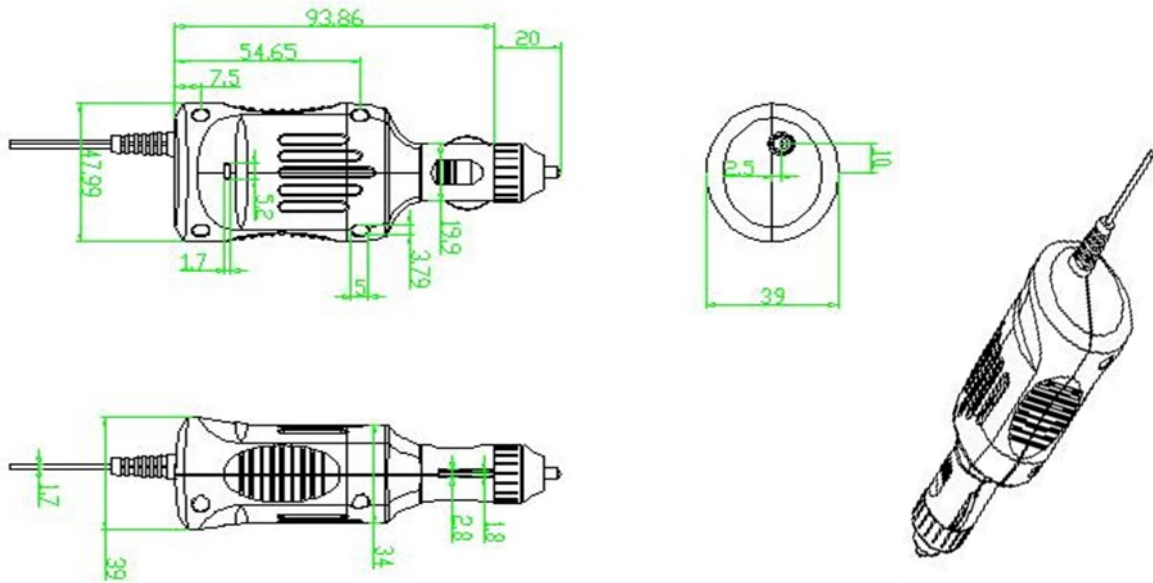
This model is for ASUS EEE notebooks.

For I.T.E. use only + RoHS conform.

Specification:

	Model	Voltage DC [V]	Loading [A]	Tol. [V]	Efficiency [%]	Max. Power [W]	Ripple & Noise [mV]p-p	Connector [mm]
	STXX-1505-CUV	5	0~3.0	±0.5	82	15	300	2.1x5.5x11
	STAS-3612-CUV	12	0~3.0	±0.5	82	36	300	1.7x4.8x11
	STAS-4019-CUV	19	0~2.1	±0.5	82	40	300	1.0x2.3x10-L
INPUT	Voltage	(11 ~ 28)VDC						
	Steady DC Current	Maximum steady state input current is 3.6A rms at 12V input and maximum load.						
	Inrush Current	Maximum inrush current shall be less than 10A at 15Vdc input						
	Power Efficiency	82% Min. measured at 12V DC input voltage, maximum load and include the DC cable loss.						
	Connector	Cigarette lighter						
	Input Fuse	No						
OUTPUT	Power ON Led	Yes (Green @ adapter)						
	DC Cable	BLACK 1.8M±20cm						
PROTECTION	Over Voltage	The power supply should be protected when output voltage over 14V.						
	Short Circuit	The adapter is protected when a short happened between the output terminals and shall not result in a fire hazard, any damage to this adapter and will be normal operation automatically while the short is removed.						
	Over power protection	The power supply shall be protected when the input DC power protect.						
ENVIRONMENT	Temperature	Operating: (0 ~ 45)°C / Storage: (-20 ~ 80)°C						
	Humidity	Operating: (10 ~ 90)% RH / Storage: (5 ~ 90)% RH non condensing						
	Cooling	The adapter is convention cooled only						
	Insulation Resistance	The resistance is more than 100MΩ at apply 500 VDC between input terminals and Case. The resistance is more than 100MΩ at apply 500 VDC between input terminals and output terminals.						
OTHERS	Case	The case material is PC.Class 94V-0.						
SAFETY	CE							
EMC	EN55022B FCC Part 15B CISPR22B GB9254B EN61000-4-5 (995+A1: 2001)							
WEIGHT	1pc	N.W.: 0.127kg / pc G.W.: 0.176kg/pc						
		0.49 x 0.34 x 0.39 [m]						
PACKING	Box	50pcs / 1box						
		G.W.: 10.5 kg / box						

Mechanical case specification:



For STXX-1505-CUV model

Cable specification:

