

Country of Origin : China  
 Operating Temperature : 0~40 [°C]  
 Efficiency level (ErP) : V

**GREEN MODE**      **RoHS**


**Specification:**

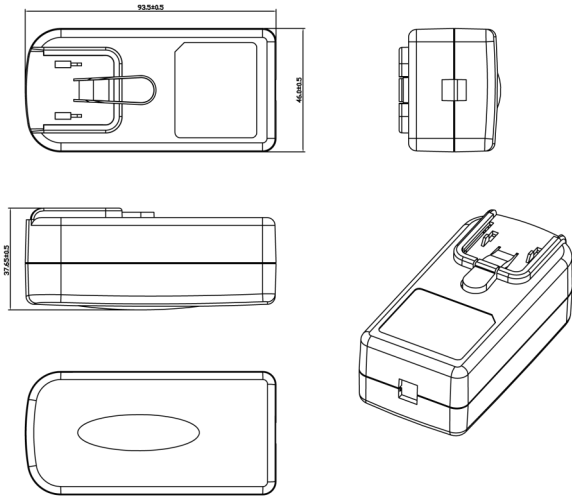
	Model	Voltage DC [V]	Loading [A]	Line/Road regulation [%]	Over Current [A]	Over Voltage [V]	Max. Power [W]	Ripple / Noise [mV] p-p	Connector UL approved [mm]
ErP V.	SYL1460-2412-Wxx*	12	0.01~2.00	5	2.05 ~ 3.5	< 20	24	250	2.1x5.5x11
	SYL1460-2415-Wxx*	15	0.01~1.60	5	1.65 ~ 3.0	< 25	24	250	2.1x5.5x11
	SYL1460-2424-Wxx*	24	0.01~1.00	5	1.05 ~ 2.0	< 40	24	300	2.1x5.5x11

**Features:**

Wall-mount LED Driver with Exchangeable AC Plugs.  
 For LED applications use only  
 Customer can choose one or more certified plugs Wxx =W2E - Europe | W2 - USA,Canada | W3U - UK | W2A - Australia | W2C - China  
 Output connector: standard: 2.1 x 5.5 x 11mm or customer requirement.

<b>INPUT</b>	Voltage	(90 ~ 264) VAC
	Frequency	(47 ~ 63) Hz
	Current	0.5A rms@ AC low line input and DC output full load
	Inrush Current (cold start)	60Amax. @ LED Driver cold start, ambient temperature 25°C @230Vac nominal AC input.
	Leakage current	0.25 mA max.
<b>PROTECTION</b>	Over Current	The LED Driver will self-protect any output to ground, And auto recovery when abnormal circuit faults remove.
	Over Voltage	The LED Driver will not be auto recovered when faults remove
	Short Circuit	Is defined as any output impedance of less than 0.1Ω. The LED Driver will be auto recovered when short circuit faults remove.
<b>OTHERS</b>	Efficiency (typical)	≥82.1% @ full load according upon spec
	Power factor	0.9 min At AC nominal input @ output full load
	Standby Power	0.3W rms max. At AC nominal input @ output min load
	Cooling	Free air convection
	M.T.B.F.	500,000 Calculated Hours at 25°C, by Telcordia SR-332
	HI-POT	IEC 320 2pin primary to secondary 3750Vac 10mA 1min
<b>ENVIRONMENT</b>	Temperature	Operating: (0 ~ 40)°C / Storage: (-20 ~ 85)°C
	Humidity	Operating: 8% ~ 90% RH non condensing / Storage: 5% ~ 95% RH non condensing
<b>CONNECTION</b>	Input	Plugs: EU, UK, US, AUS, China (exchangeable)
	Output	Plug standard center '+' or customer requirement // Cable length 1,8m
<b>SAFETY</b>	CE   MM Mark   F Mark   CB   FCC   EN61347   UKCA	
<b>CE</b>	EMC	2014/30/EU
	LVD	2014/35/EU EN61347
<b>WEIGHT</b>	1pc	N.W.: 156 g/pc + plug
<b>PACKING</b>	Box	0.42 x 0.38 x 0.27 [m]
		63pcs / 1box – provide without plugs / plugs are separately
		G.W.: - kg/box

**Mechanical case specification:**

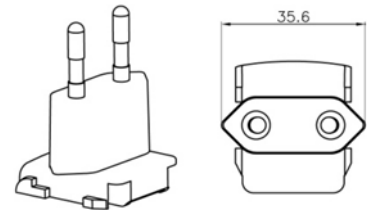
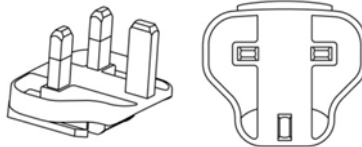
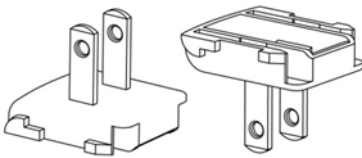


**Mechanical specification (country housing):**

US / Japan type (W2)

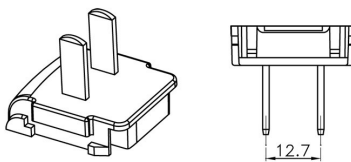
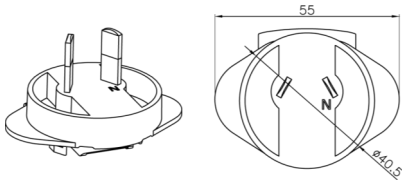
UK type (W3U)

Europe type (W2E)



Australia type (W2A)

China type (W2C)



**Cable specification:**

