

Country of Origin : China  
 Operating Temperature : 0~40 [°C]  
 Dimension : 72.5 x 34 x 45 [mm]

Efficiency level (ErP) :



Approvals / Marks :



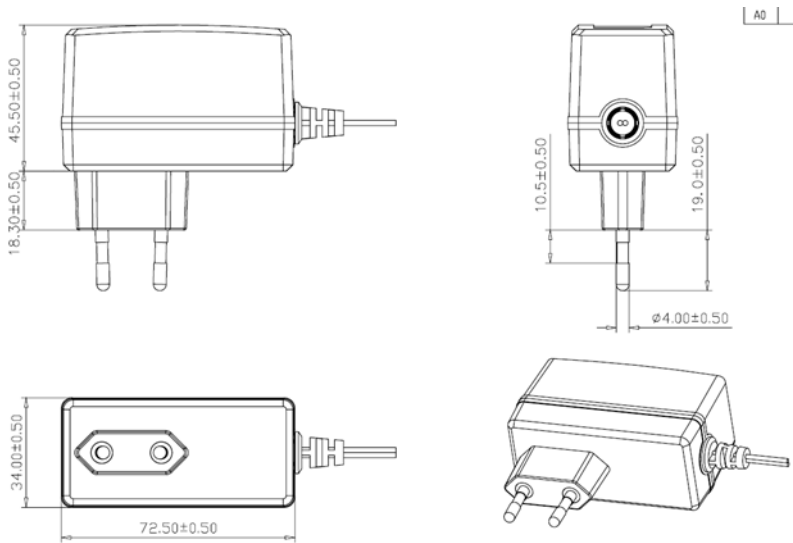
**Features:**

K.21 Protection against interference. For Telecom Products / Enclosure / STB.		PSU housing ready for use in country :	
Wall-mount power supply, single output.	Wide range Input (90 ~ 264) VAC / (47 ~ 63)Hz.	USA/Japan (type W2)	Australia (type W2A)
Overload, over voltage & short protection.	For I.T.E. use only + RoHS conform.	UK (type W3U)	Europe (type W2E)

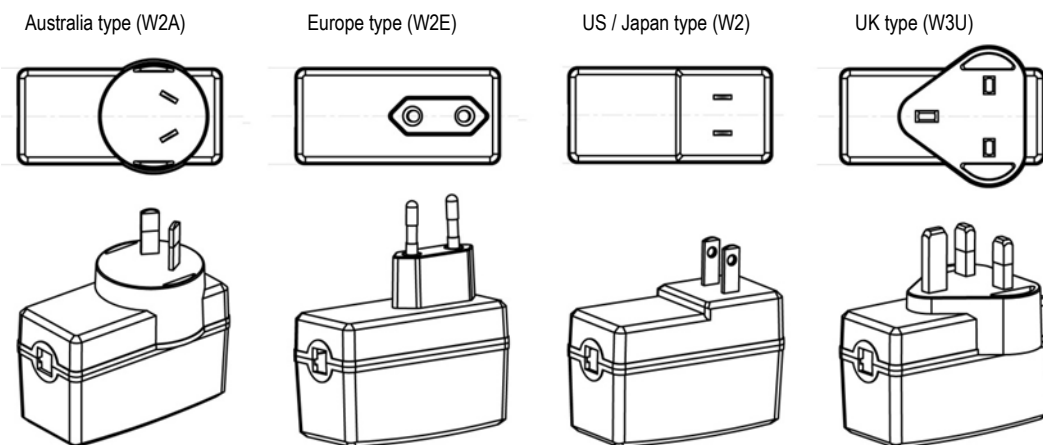
**Specification:**

	Model	Voltage	min.	max.	Line/Road	Hold up	Max. Power	Ripple &	Connector
ErP V.	SYS1428-xx05-Wxx	5	0	3	±5	(*)	xx=05~15	150	(*)
	SYS1428-xx06-Wxx	6	0	2.5	±5	(*)	xx=06~15	150	(*)
	SYS1428-xx12-Wxx	12	0	2	±5	(*)	xx=06~24	180	(*)
	SYS1428-1812-Wxx	12	0	1.5	±5	10	18	150	2.1x5.5x11
	SYS1428-2412-Wxx	12	0	2	±5	10	24	150	(*)
Wxx	Possible to order with	Wxx = W2E - Europe   W2 - USA,Canada,Japan   W3U - UK   W2A - Australia							
OEM Production	This model is certified for Uout=(5,6,12)V and Pout=(5~24)W by step of 1W for each Uout.								
OUTPUT	Turn on delay	5000 ms max @ AC low line input@output full load							
	Hold up time	10ms min @ AC nominal input@ output full load (> half cycle)							
	Efficiency (Normal)	meets CEC, DOE, ERP, MEPS, LEVEL V @115V/60Hz, 230V/50Hz							
	Transient response (dv, tmax)	0.4v dv max At AC nominal input loading from 20% load to 80% load.							
		16ms tmax Dynamic rise time 10uS max , duty 40mS max , Dynamic load step is slew rate of 0.5A/uS							
	Power out. Limit	Peak 24W for model -2412							
INPUT	Burn in test	Full load 2 Hours							
	Voltage	(90 ~ 264)VAC							
	Frequency	(47 ~ 63) Hz							
	Current	1A rms @ AC low line input and DC output full load							
	Inrush Surge Current (cold)	30/60A max @ power supply cold start, ambient temperature 25°C @ 115Vac / 230Vac nominal AC input.							
	Leakage current	0.25 mA Max.							
PROTECTION	Power consumption	0.3W rms max. At AC nominal input@output min load							
	Over Current /Short protection	The power supply will self-protect any output to ground, And auto recovery when abnormal circuit faults remove.							
	Protection against interference.	ITU TK.21							
	Over Voltage	The power supply will not be auto recovered when faults remove >>Voltage limit<<							
	Input protection	F1:T6.3AL/250V Fuse   F2:T1AL/250V Fuse   PS input is protected by fuse F1 before MOV to limit current in MOV (Varistor);							
	No load protection	The power supply is provided with no load operation to prevent the power supply and system from damage.							
OTHERS	Protection class	II.							
	Dielectric Strength (Hi-pot)	Primary to Secondary: 3000VAC / 10mA / 60s							
	M.T.B.F	50K hours full rated load operation at 25 °C, according to the MIL-HDBK-217F.							
	Cable length	1836mm (6feet) round cable or depends on customer requirements							
	PLD (power line disturbance )	LINE POWER SURGE   LINE VOLTAGE SAG – more information will be provide on request							
	Cooling method	By natural air							
	Housing matherial	PC or PPO							
ENVIRONMENT	Temperature coefficient:	< ±0.5% / °C							
	Temperature	Operating: (0 ~ 40)°C / Storage: (-20 ~ 85)°C							
	Humidity	Operating: 8% ~ 90% RH / Storage: 5% ~ 95% RH non condensing							
<b>SAFETY</b> CE   TUV/GS   CB   cULus   FCC   BSMI   PSE   VCCI   C-TICK   SAA T-licence   RCM									
EMC	EMI	EN 55022 Class B (2006)+ A1(2007)							
	EMS	EN55024(1998)+A1(2001)+A2(2003)   IEC 61000-4-2 (2008)   IEC 61000-4-3 (2006) + A1(2007) + A2(2010)							
WEIGHT	1pc	N.W.: 150g / pc   G.W.: 185g / pc							
		465(L)*440(W)*333(H) [mm]							
PACKING	Box	80 pcs / 1box G.W.: 18.5 kg/box							

**Mechanical case specification:**



**Mechanical specification (country housing):**



**Cable specification:**

1185#20\*1C+shield / 6FT (1830mm)

