

Country of Origin : China
 Operating Temperature : 0~40 [°C]
 Efficiency level (ErP) : VI



GREEN MODE

RoHS



Specifications

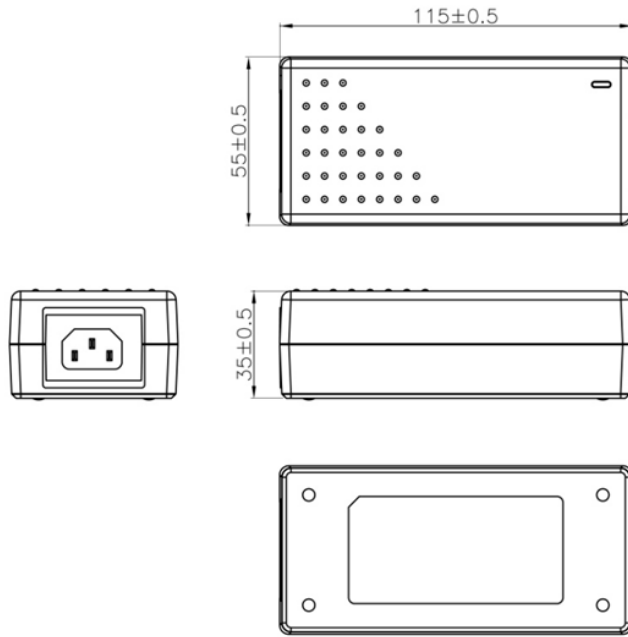
Model	Voltage DC [V]	Loading [A]	Max. Power [W]	Ripple / Noise [mV] p-p	Connector [mm]
SYS1649-6548-T3	48	0~1.35	65	480	2.1x5.5x11

Features:

Output connector: standard: 2.1 x 5.5 x 11mm or customer requirement | Regulated Output With Low Ripple Noise | Safety Agency Requirements and EMI/EMS Certified
 Private Label Marking Available | Modified and Custom Design Available | 2 Years Warranty

INPUT OUTPUT	Voltage	90-264VAC
	Current	1.5A max At 100VAC & 240VAC@full load
	Inrush Current	60A max At cold start, ambient temperature 25°C nominal AC input 115VAC/230VAC
	Power consumption	0.21W max. with output no load at 115VAC/230VAC input
	Efficiency	Meet ERP level VI
	Hold up time	5mS min At AC nomind input @ output full load
	Turn delay	3000mS max. 3S max on the condition that input volotage 230V, full load
	Ripple noise	480mV
	Burn-in	2 Hour Full Load
PROTECTION	Over current Short protection	Fold back
	Over Voltage	Auto recovery
	Input protection	3.15A/250V Fuse The power supply shall be protected against power line surges and any abnormal condition
	Protection class	Class I
SAFETY	CE EMC	2014/30/EU
	CE LVD	2014/35/EU EN 62368
	Safety approvals	CB CE FCC UL CCC BSMI SAA RCM UKCA
	Dielectric Strength (Hi-pot)	IEC 320 2pin primary to secondary 4000Vdc 10mA 1min
	Leakage current	3.5 mA max
ENVIRONMENTAL	Temperature	Operating: 0~40°C / Storage: -20~85°C
	Humidity	Operating: 8%~90%RH / Storage: 5%~95% RH non condensing
	Cooling	Natural Convection Cooling
OTHER	MTBF	MTBF shall be least 50,000 hours at 25°C (MIL-HDBK-217F)
	Weight	0
	Dimension	115x55x35 mm
	Packing	60 pcs 1 box

Mechanical case



Cable specification:

