

Country of Origin : China
 Operating Temperature : 0~40 [°C]
 Efficiency level (ErP) : VI

GREEN MODE **RoHS**



Specifications

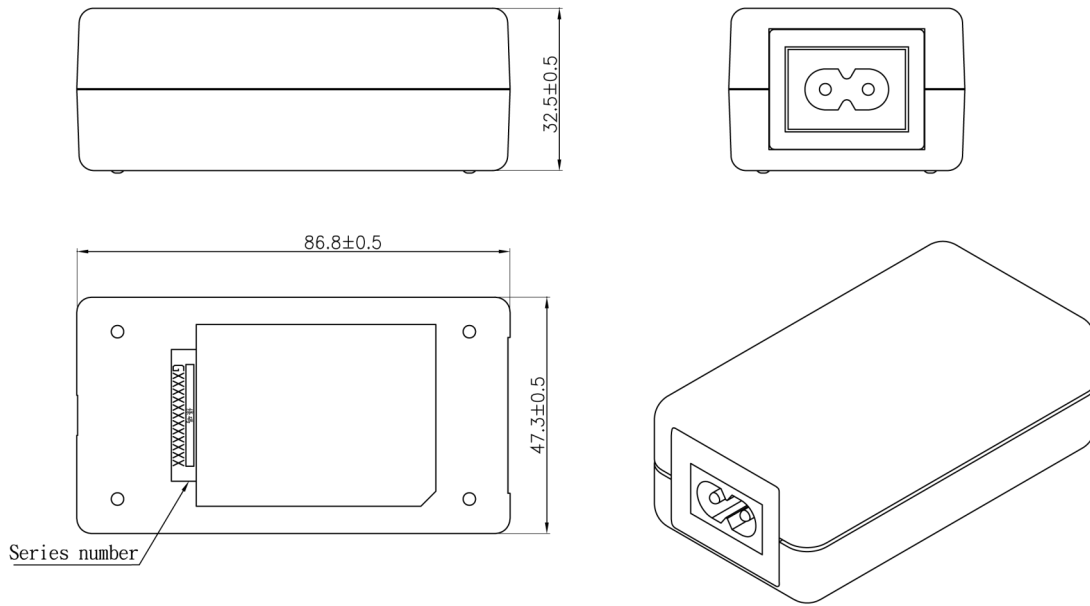
Model	Voltage DC [V]	Loading [A]	Max. Power [W]	Ripple / Noise [mV] p-p	Connector [mm]
SYS1544-1505-T2	5	0~3.0	15	180	2.1x5.5x11
SYS1544-1809-T2	9	0~2.0	18	180	2.1x5.5x11
SYS1544-2412-T2	12	0~2.0	24	180	2.1x5.5x11
SYS1544-2415-T2	15	0~1.6	24	200	2.1x5.5x11
SYS1544-2418-T2	18	0~1.33	24	240	2.1x5.5x11
SYS1544-2424-T2	24	0~1.0	24	300	2.1x5.5x11

Features:

Available in 2 inlet versions: C7(T2) & C13(T3)
 Output connector: standard: 2.1 x 5.5 x 11mm or customer requirement | Regulated Output With Low Ripple Noise | Safety Agency Requirements and EMI/EMS Certified
 Private Label Marking Available | Modified and Custom Design Available | 2 Years Warranty

INPUT OUTPUT	Voltage	90-264VAC
	Current	1A rms max At AC low line input and DC output full load
	Inrush Current	60A max At cold start, ambient temperature 25°C nominal AC input 115VAC/230VAC
	Power consumption	0.1W rms max At AC nominal input@output no load
	Efficiency	Meet ERP level VI
	Hold up time	5mS min At AC nominal input @ output full load
	Turn delay	7000mS max. 3S max on the condition that input voltage 230V, full load
	Ripple noise	200mV
Burn-in	2 Hour Full Load	
PROTECTION	Over current Short protection	Fold back Auto recovery when abnormal circuit faults remove.
	Over Voltage	Latch off
	Input protection	1A/250V Fuse The power supply shall be protected against power line surges and any abnormal condition
	Protection class	Class II
SAFETY	CE EMC	2014/30/EU
	CE LVD	2014/35/EU EN 60950
	Safety approvals	CB CE GS FCC cULus BSMI PSE
	Dielectric Strength (Hi-pot)	IEC 320 2pin primary to secondary 3000Vdc 10mA 1min
	Leakage current	0.25 mA max.
ENVIRONMENTAL	Temperature	Operating: 0~40°C / Storage: -20~85°C
	Humidity	Operating: 8%~90%RH / Storage:5%~95% RH
	Cooling	Natural Convection Cooling
OTHER	MTBF	MTBF shall be least 50,000 hours at 25°C (MIL-HDBK-217F)
	Weight	0
	Dimension	87x47x33 mm
	Packing	60 pcs 1 box

Mechanical case specification:



Cable specification:

