

Country of Origin : China
 Operating Temperature : 0~40 [°C]
 Dimension : 139 x 61 x 33 [mm]
 Efficiency level (ErP) : VI



Approvals / Marks :



Specifications

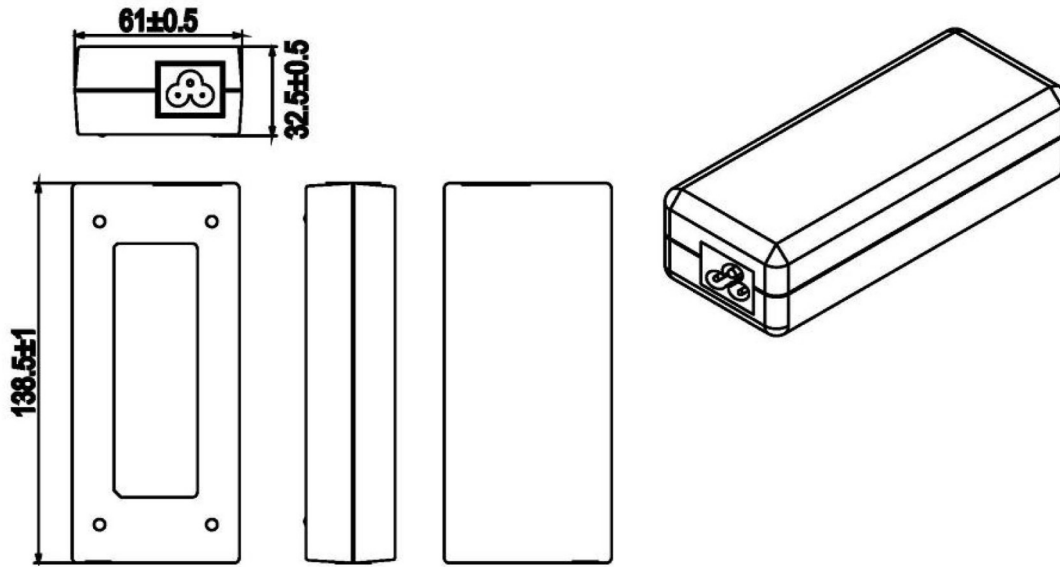
Model	Voltage DC [V]	Loading [A]	Max. Power [W]	Ripple / Noise [mV] p-p	Connector [mm]
SYS1575-9012-M3	12	0~7.5	90	200	2.1x5.5x11
SYS1575-9015-M3	15	0~6.0	90	200	2.1x5.5x11
SYS1575-9018-M3	18	0~5.0	90	200	2.1x5.5x11
SYS1575-9019-M3	19	0~4.73	90	200	2.1x5.5x11
SYS1575-9020-M3	20	0~4.5	90	200	2.1x5.5x11
SYS1575-9024-M3	24	0~3.75	90	240	2.1x5.5x11
SYS1575-9036-M3	36	0~2.5	90	360	2.1x5.5x11
SYS1575-9048-M3	48	0~1.87	90	480	2.1x5.5x11
SYS1575-9054-M3	54	0~1.6	90	540	2.1x5.5x11

Features:

Available in inlet version: C5 (M3)
 Output connector: standard: 2.1 x 5.5 x 11mm or customer requirement | Regulated Output With Low Ripple Noise | Safety Agency Requirements and EMI/EMS Certified
 Private Label Marking Available | Modified and Custom Design Available | 2 Years Warranty

OUTPUT		CE	
Turn delay	7000ms max@AC low line input@output full load	EMC	2014/30/EU
Hold up time	10ms min@AC nominal input@output full load (>half cycle)	LVD	2014/35/EU EN 60950-1:2006+A11+A1+A12+A2 EN 62368-1
Efficiency (Normal)	Meet CEC,DOE,ERP,MEPS Level VI@115v/60HZ,230V/50HZ	SAFETY	
Transient response (dv,tmax)	2V dv max At AC nominal input loading from 20%load to 80%load Dynamic rise time 10 us max,duty 40ms max,Dynamic load step is slew rate of 0.5A/us	UL GS CB CE FCC SAA RCM T-licence	
Power out.Limit	Peak 110w	OTHERS	
Burn in limit	Full load 2 Hours	Dielectric Strength (Hi-pot)	Primary to Secondary:1500VAC 10mA/60S
Power consumption	Less than 0.21W ms max. At AC nominal input@output min load	M.T.B.F	500,000 Calculated Hours at 25°C, by Telcordia SR-332
INPUT		Cable Length	1500mm (5 feet) standard cable or as required
Voltage	(90~264)VAC	PLD (power line disturbance)	Line power surge Line voltage SAG-more info on request
Frequency	(47~63)hz	Cooling method	Natural Convection Cooling
Current	2.5A rms@AC low line input and DC output full load	Housing material	PC or PPO
Inrush Surge Current (cold start)	100A max@power supply cold start,ambient temperature 25°C @115Vac/230Vac nominal AC input	Temperature coefficient:	< ±0.5% / °C
leakage current	3.2mA max	ENVIRONMENT	
PROTECTION		Temperature	Operating: 0~40°C / Storage: -20~85 °C
Over current/ Short protection	The power supply will self-protect any output to ground & auto recovery when abnormal circuit faults remove. An output short circuit is defined as any output impedance less than 0.1 ohms.	Humidity	Operating: 8%~90%RH / Storage: 5%~95% RH non condensing
Over Voltage	The power supply will be auto recovered when faults remove	WEIGHT	
Input protection	F1:4A 250V Fuse The power supply shall be protected against power line surges and any abnormal condition	NW: 438g/pc	
No Load protection	The power supply is provided with no load operation to prevent the power supply and system from damage.	GW: about 17kg/box - depends on the model	
Protection class	I, (ITU-T K.21 Surge 6KV on request)	PACKING	
		30 pcs/1 box	

Mechanical case specification:



Cable specification:

