

Country of Origin : China
 Operating Temperature : 0~40 [°C]
 Efficiency level (ErP) : VI



GREEN MODE

RoHS



Specifications

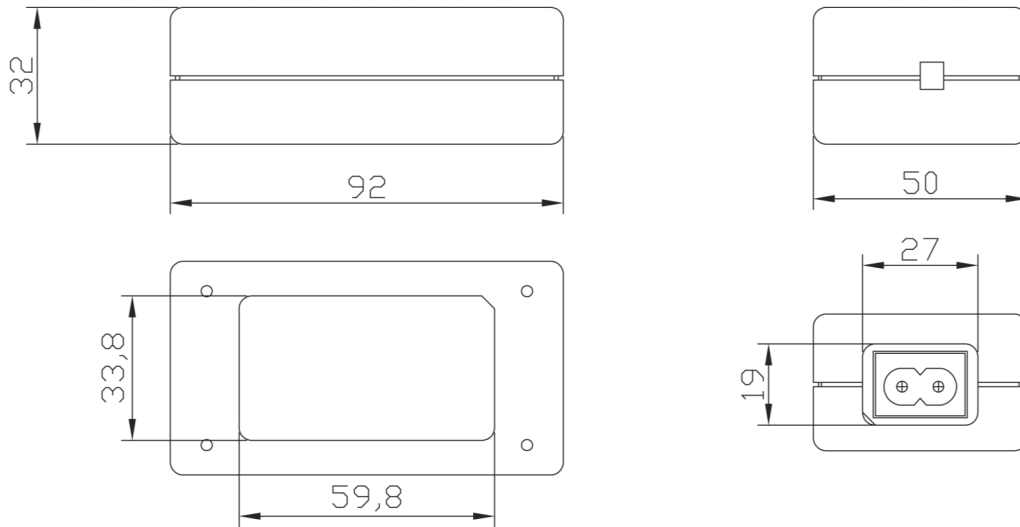
Model	Voltage DC [V]	Loading [A]	Max. Power [W]	Ripple / Noise [mV] p-p	Connector [mm]
SYS1588-3005-T2	5	0~6	30	120	2.1x5.5x11
SYS1588-3609-T2	9	0~4	36	120	2.1x5.5x11
SYS1588-4012-T2	12	0~3.3	40	200	2.1x5.5x11
SYS1588-4015-T2	15	0~2.6	40	200	2.1x5.5x11
SYS1588-4018-T2	18	0~2.2	40	240	2.1x5.5x11
SYS1588-4024-T2	24	0~1.6	40	240	2.1x5.5x11
SYS1588-4048-T2	48	0~0.8	40	400	2.1x5.5x11

Features:

Available in inlet version: C7 (T2)
 Output connector: standard: 2.1 x 5.5 x 11mm or customer requirement | Regulated Output With Low Ripple Noise | Safety Agency Requirements and EMI/EMS Certified
 Private Label Marking Available | Modified and Custom Design Available | 2 Years Warranty

INPUT OUTPUT	Voltage	90-264VAC
	Current	1.5A max At 100VAC & 240VAC@full load
	Inrush Current	40/60A max At cold start, ambient temperature 25°C nominal AC input 100VAC/240VAC
	Power consumption	0.1W max. with output no load at 115VAC/230VAC input
	Efficiency	Meet ERP level VI
	Hold up time	8mS min At AC nominal input @ output full load
	Turn delay	5000mS max. At AC low line input @ output full load.
	Burn-in	Full load 2 Hours
PROTECTION	Over current Short protection	Automatic recovery
	Over Voltage	The power supply shall be self-recovering when the fault condition is removed
	Input protection	The switching adaptor use 2.0A fuse.
	Protection class	Class II
SAFETY	CE EMC	2014/30/EU
	CE LVD	2014/35/EU EN 62368
	Safety approvals	cTUVus FCC GS CE CB RCM SAA PSE EAC UKCA CCC
	Dielectric Strength (Hi-pot)	AC3000V, 10.0mA, 1 minute for type test
	Leakage current	5 mA max.
ENVIRONMENTAL	Temperature	Operating: 0~40°C / Storage: -20~50°C
	Humidity	Operating: 0%~90%RH / Storage: 0%~90% RH
	Cooling	The power supply will operate with convection cooling. Blocking of vents must not cause damage to the power supply.
OTHER	MTBF	MTBF shall be least 50,000 hours at 25°C (MIL-HDBK-217F)
	Weight	187g
	Dimension	93x50x33 mm
	Packing	50 pcs 1 box

Mechanical case specification:



Cable specification:

