




Country of Origin : China
 Operating Temperature : 0~40 [°C]
 Dimension : 116 x 56 x 34 [mm]
 Suitable cable : IEC320-C5 ("Mickey Mouse")
 Efficiency level (ErP) : 
 Approvals / Marks :  

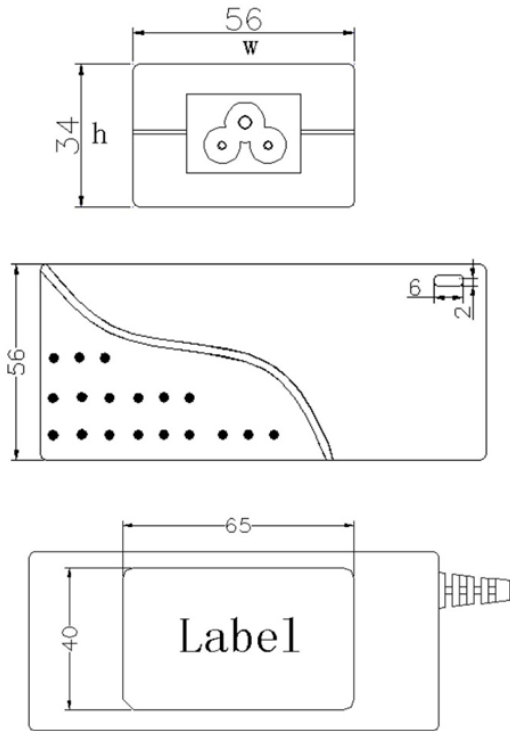

Features:

Single Output
 Wide input voltage 100~240[V]ac with IEC 320-C5 Inlet
 Output voltage available from (12~24)Vdc & (7~3.75)A in specified steps (OEM production)
 High Performance
 Overload & Short circuit protection
 For I.T.E. use only + RoHS conform

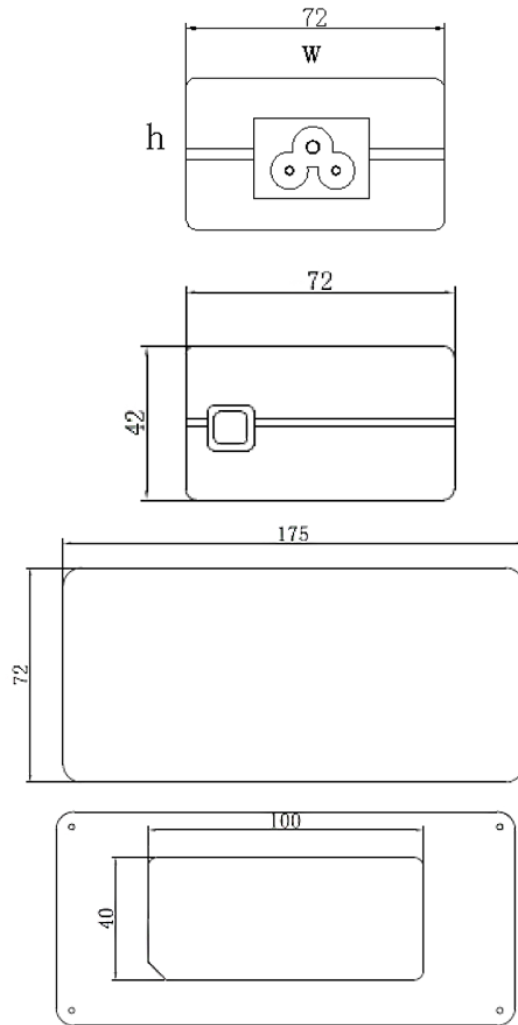
Specification:

	Model	Voltage DC [V]	Loading [A]	Tol. [%]	Max. Power [W]	Ripple & Noise [mV] p-p	DC connector [mm]
	YJXX-8412-M3	12	0~7	±5%	84	150	2.1x5.5x11
	YJXX-9024-M3	24	3.75	±5%	90	200	2.1x5.5x11
INPUT	Voltage	(90 ~ 264) VAC					
	Inrush Current	60 Amps Max. Cold start at 240Vac input					
	Power efficiency	87% Min. measured at 115Vac/230V input					
	Frequency	(47 ~ 63) Hz					
	Current	max. 1.8A					
PROTECTION	Over Voltage	Yes, The power supply shall be protected when output voltage over 16V for 12V model.					
	Over current	The power supply will be auto recovered when over current faults remove.					
	Short Circuit	The power supply will be auto recovered when over current faults remove.					
OTHERS	Leakage Current	3.5mA Max. At 264Vac input					
ENVIRONMENT	Temperature	Operating(0 ~ 40)°C Storage(-10 ~ 80)°C					
	Humidity	Operating (5 ~ 90)% RH, 72Hrs, Full load, Normal operating.					
SAFETY	CE C-Tick 						
EMC	EMC	2004/108/EC (EN61000-3-2,3 EN 55022:2006+A1:2007, EN 55024:1998+A1:2001 + A2:2003)					
	EMI	Meet the limits EN55022 class B rules EN 60950-1:2006+A11:2009					
WEIGHT		YJXX-8412-M3	YJXX-9024-M3				
	1pcs	N.W.: 0.33kg / pcs	N.W.: 0.39kg / pcs				
PACKING		0.340(L) x 0.310(W) x 0.370(H) [m]		0.425(L) x 0.420(W) x 0.200(H) [m]			
	Box	50 pcs / 1box		20 pcs / 1box			
		G.W.: 19kg/box		G.W.: 10kg/box			

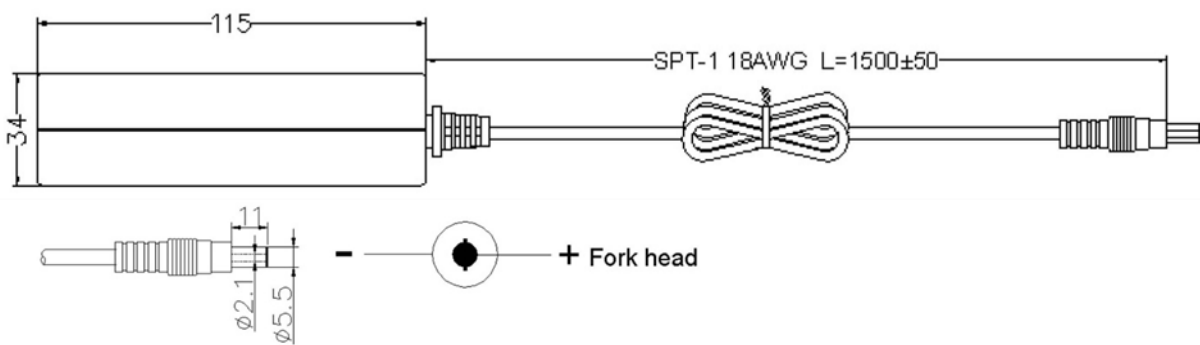
Mechanical case specification YJXX-8412-M3:



Mechanical case specification YJXX-9024-M3:



Cable specification YJXX-8412-M3:



Cable specification YJXX-9024-M3:

