

Country of Origin : China
 Operating Temperature : 0~40 [°C]
 Dimension : 175 x 72 x 42 [mm]

Efficiency level (ErP) :



Approvals / Marks :



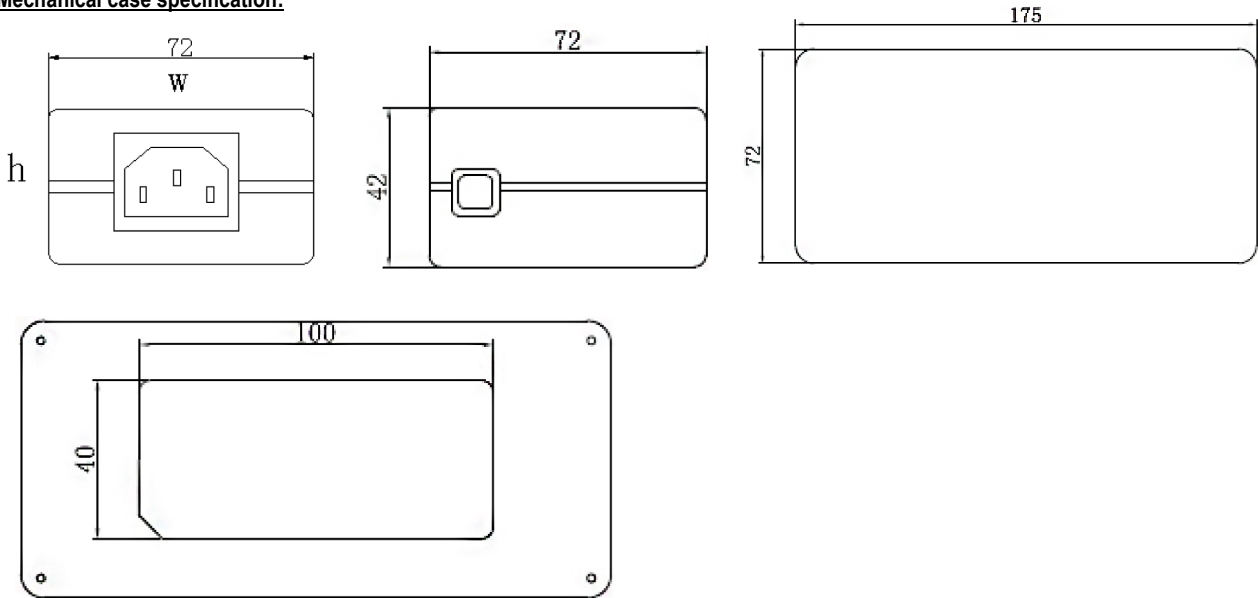
Features:

Overload, over voltage & short protection.
 For I.T.E. use only + RoHS conform.
 Wide range Input (90 ~ 264) VAC / (47 ~ 63) Hz.
 Desktop power supply, single output.

Specification:

	Model	Voltage DC [V]	Loading [A]	Tol. [%]	OCP [A]	OVP [V]	Efficiency [%]	Max. Power [W]	Ripple & Noise [mV] p-p	Connector UL approval [mm]
ErP V.	YJXX-12012-T3	12	0~10	±5	16	18	>87	120	150	2.1x5.5x11
OUTPUT	Turn on delay	3000 ms max @ AC low line input@output full load								
	Rise time	40ms Max.at 100Vac input and output Max load.								
	Hold up time	5ms min @ AC nominal input@ output full load (> half cycle)								
	Efficiency (Normal)	>87 Meet ErP V.								
INPUT	Voltage	(90 ~ 264)VAC								
	Frequency	(47 ~ 63) Hz								
	Current	2Amps @ AC low line input and DC output full load								
	Inrush Surge Current (cold start)	80A max @ power supply cold start, ambient temperature 25°C@ 240Vac nominal AC input.								
	Leakage current	0.25mA Max. 240Vac input								
PROTECTION	Over Current /Short protection	The power supply will be auto recovered when short circuit faults remove. Output current achieve over current protection point.will auto protection without output. Be capable of auto-recovery function. I out 110~150%								
	Over Voltage	V out 110~150%								
	No load protection	YES								
	Protection class	I.								
OTHERS	Dielectric Strength (Hi-pot)	Primary to secondary,3000Vac/5mA/3s. Primary to Case,3000Vac/5mA/3s.								
	M.T.B.F	50k Hours								
	Power Factor	Input:100~240Vac≥0.9								
	Line / Load regulation	Line regulation ±1% Load regulation ±5%								
	Cable length / type	1500mm (5feet) round cable or depends on customer requirements								
	Cooling method	By natural air								
ENVIRONMENT	Temperature	Operating: (0 ~ 40)°C / Storage: (-10 ~ 80)°C								
	Humidity	Operating: 5% ~ 90% RH / Storage: 5% ~ 90% RH non condensing								
SAFETY	CE SAA C-Tick									
EMC	EN60950-1:2006+A11:2009 EN55022:2006+A1:2007 EN 55024:1998+A1:2001+A2:2003 EN61000-3-3:1995+A1:2001+A2:2005 EN61000-3-2:2006+A1+A2:2009									
WEIGHT	1pc	N.W.: 0,572kg / pc G.W.: 0,623kg / pc								
PACKING	Box	0.425(L) x 0.420(W) x 0.200(H) [m]								
		20 pcs / 1box G.W.: 13kg/box								

Mechanical case specification:



Cable specification:

