

Country of Origin : China  
 Operating Temperature : 0~40 [°C]  
 Efficiency level (ErP) : VI

**GREEN MODE**      **RoHS**



**Specifications**

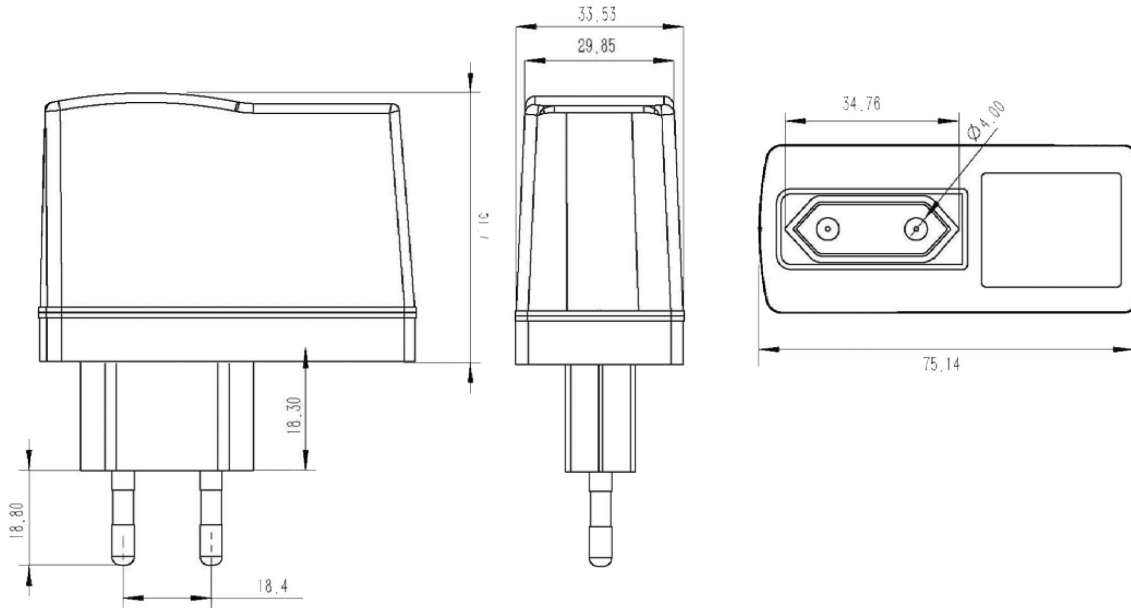
Model	Voltage DC [V]	Loading [A]	Max. Power [W]	Ripple / Noise [mV] p-p	Connector [mm]
SYS1588-2005-W2E	5.1	0~4	20.4	120	2.1x5.5x11
SYS1588-2005-W2E	5.1	0~4	20.4	120	USB-C
SYS1588-2406-W2E	6	0~4	24	120	2.1x5.5x11
SYS1588-3009-W2E	9	0~3.33	30	120	2.1x5.5x11
SYS1588-3012-W2E	12	0~2.5	30	200	2.1x5.5x11
SYS1588-3015-W2E	15	0~2.0	30	200	2.1x5.5x11
SYS1588-3018-W2E	18	0~1.66	30	240	2.1x5.5x11
SYS1588-3024-W2E	24	0~1.25	30	240	2.1x5.5x11
SYS1588-3048-W2E	48	0~0.63	30	400	2.1x5.5x11

**Features:**

Output connector: standard: 2.1 x 5.5 x 11mm or customer requirement | Regulated Output With Low Ripple Noise | Safety Agency Requirements and EMI/EMS Certified  
 Private Label Marking Available | Modified and Custom Design Available | 2 Years Warranty

INPUT   OUTPUT	<b>Voltage</b>	90-264VAC
	<b>Current</b>	1.5A max   At 100VAC & 240VAC@full load
	<b>Inrush Current</b>	40/60A max   At cold start, ambient temperature 25°C nominal AC input 100VAC/240VAC
	<b>Power consumption</b>	0.1W max. with output no load at 115VAC/230VAC input
	<b>Efficiency</b>	Meet ERP level VI
	<b>Hold up time</b>	8mS min   At AC nominal input @ output full load
	<b>Turn delay</b>	5000mS max.   At AC low line input @ output full load.
	<b>Ripple noise</b>	200mV
<b>Burn-in</b>	220VAC 80% Load (Ref) 2hours & 40°C +/- 5°C	
PROTECTION	<b>Over current Short protection</b>	Automatic recovery
	<b>Over Voltage</b>	The power supply shall be self-recovering when the fault condition is removed
	<b>Input protection</b>	The switching adaptor use 3.15A fuse.
	<b>Protection class</b>	Class II
SAFETY	<b>CE EMC</b>	2014/30/EU
	<b>CE LVD</b>	2014/35/EU EN 62368
	<b>Safety approvals</b>	GS   CE   CB   EAC   CCC
	<b>Dielectric Strength (Hi-pot)</b>	AC3000V, 5.0mA, 1 minute for type test
	<b>Leakage current</b>	0.25 mA max.
ENVIRONMENTAL	<b>Temperature</b>	Operating: 0~40°C / Storage: -20~50°C
	<b>Humidity</b>	Operating: 20%~80%RH / Storage: 5%~95% RH
	<b>Cooling</b>	The power supply will operate with convection cooling. Blocking of vents must not cause damage to the power supply.
OTHER	<b>MTBF</b>	MTBF shall be least 50,000 hours at 25°C (MIL-HDBK-217F)
	<b>Weight</b>	179g
	<b>Dimension</b>	75x34x92 mm
	<b>Packing</b>	80 pcs   1 box

**Mechanical case specification:**



**Cable specification:**

1185#16AWG\*1C|

