

Country of Origin : China
 Operating Temperature : 0~40 [°C]
 Dimension : 74 x 29 x 79 [mm]
 Efficiency level (ErP) : VI



Approvals / Marks :



Specifications

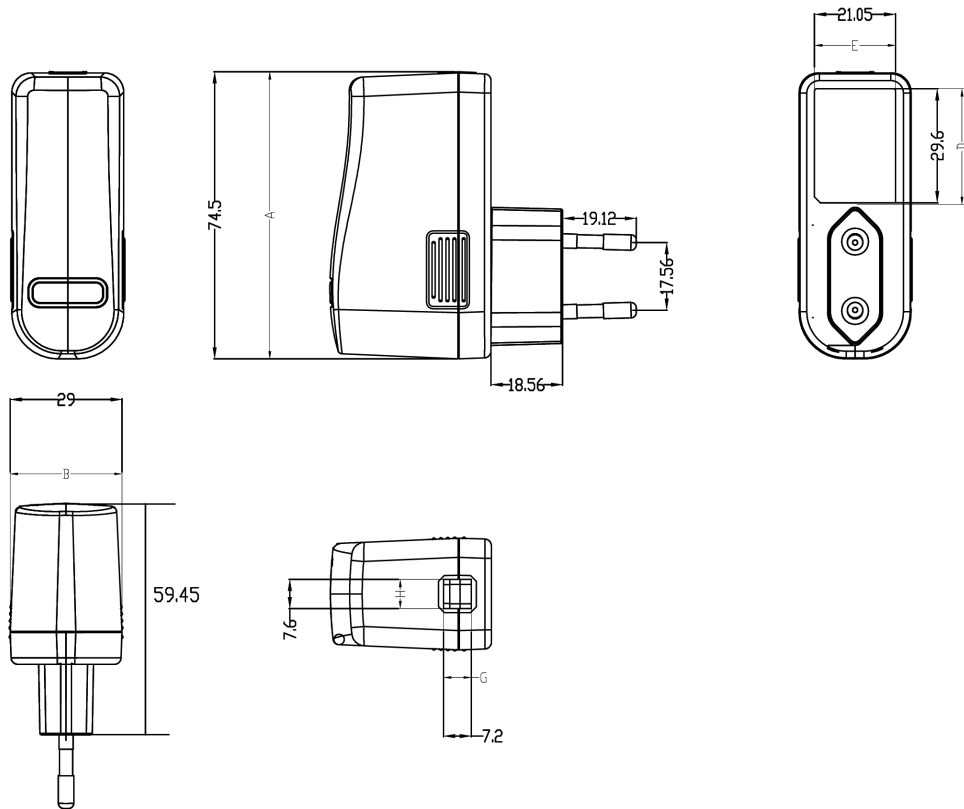
Model	Voltage DC [V]	Loading [A]	Max. Power [W]	Ripple / Noise [mV] p-p	Connector [mm]
SYS1128-0903-W2E	3,3	0~2.5	8,3	200	2.1x5.5x11
SYS1128-1205-W2E	5	0~2.4	12	200	2.1x5.5x11
SYS1128-1206-W2E	6	0~2	12	200	2.1x5.5x11
SYS1128-1409-W2E	9	0~1.5	13,5	200	2.1x5.5x11
SYS1128-1512-W2E	12	0~1.25	15	200	2.1x5.5x11
SYS1128-1515-W2E	15	0~1	15	200	2.1x5.5x11
SYS1128-1218-W2E	18	0~0.66	12	200	2.1x5.5x11
SYS1128-1224-W2E	24	0~0.5	12	200	2.1x5.5x11

Features:

Certified plugs Wxx = W2E - Europe | W3U - England | W2 - USA, Canada, Japan, Taiwan | W2A - Australia | W2C - China | W2K - Korea
 Output connector: standard: 2.1 x 5.5 x 11mm or customer requirement | Regulated Output With Low Ripple Noise | Safety Agency Requirements and EM/EMS Certified
 Private Label Marking Available | Modified and Custom Design Available | 2 Years Warranty

OUTPUT		CE	
Turn delay	5000ms max@AC low line input@output full load	EMC	EN 55014-1:2017 EN 55014-2: 2015
Hold up time	8ms min@AC nominal input@output full load	LVD	2014/35/EU EN 61558-2-16:2009 + A1:2013
Efficiency (Normal)	>84.13%@115v/60HZ,230V/50HZ input & Full load 15W Max	SAFETY	
Transient response (dv,tmax)	0.4V dv max At AC nominal input loading from 20%load to 80% load 16ms tmax Dynamic rise time 10 us max,duty 40ms max,Dynamic load step is slow rate of 0.5A/us	CE GS ETL-UL1310 FCC RCM PSE CB CCC	
Power out.Limit	15W	OTHERS	
Burn in limit	Full load 2 Hours	Dielectric Strength (Hi-pot)	I/P-O/P:3000VAC
Power consumption	0.1W max. At AC nominal input@output min load	M.T.B.F	50,000 Calculated Hours at 25°C, according to the MIL-HDBK-217F
INPUT		Cable Length	1370mm (4.5 feet) standard cable or as required
Voltage	(90~264)VAC	PLD (power line disturbance)	Line power surge Line voltage SAG-more info on request
Frequency	(50-60)hz	Cooling method	Natural Convection Cooling
Current	0.5A Max@AC low line input and DC output full load	Housing material	PC
Inrush Surge Current (cold start)	40/60A max@power supply cold start,ambient temperature 25°C @115Vac/230Vac nominal AC input	Temperature coefficient:	<±0.5%/°C
leakage current	0.5mA Max	ENVIRONMENT	
PROTECTION		Temperature	Operating: 0~40°C / Storage: -20~-85° °C
Over current/ Short protection	The power supply will be auto recovered when over current or short circuit faults remove (fold back). Is defined as any output impedance of less than 0.1Ω. The power supply will be auto recovered when short circuit faults remove	Humidity	Operating: 8%~90%RH / Storage: 5%~95% RH non condensing
Over Voltage	The power supply will not be auto recovered when faults remove 110%-150%. (Voltage limit)	WEIGHT	
Input protection	FR1:0.68/4.7/10 Ω resistance fuse The power supply shall be protected against power line surges and any abnormal condition	NW: 8.44Kg	
No Load protection	The power supply is provided with no load operation to prevent the power supply and system from damage.	GW:11.7Kg	
Protection class	II	PACKING	
		Box	100 pcs/1 box

Mechanical case specification:



Cable specification:

