

Country of Origin : China
 Operating Temperature : 0~40 [°C]
 Efficiency level (ErP) : VI



GREEN MODE **RoHS**



Specifications

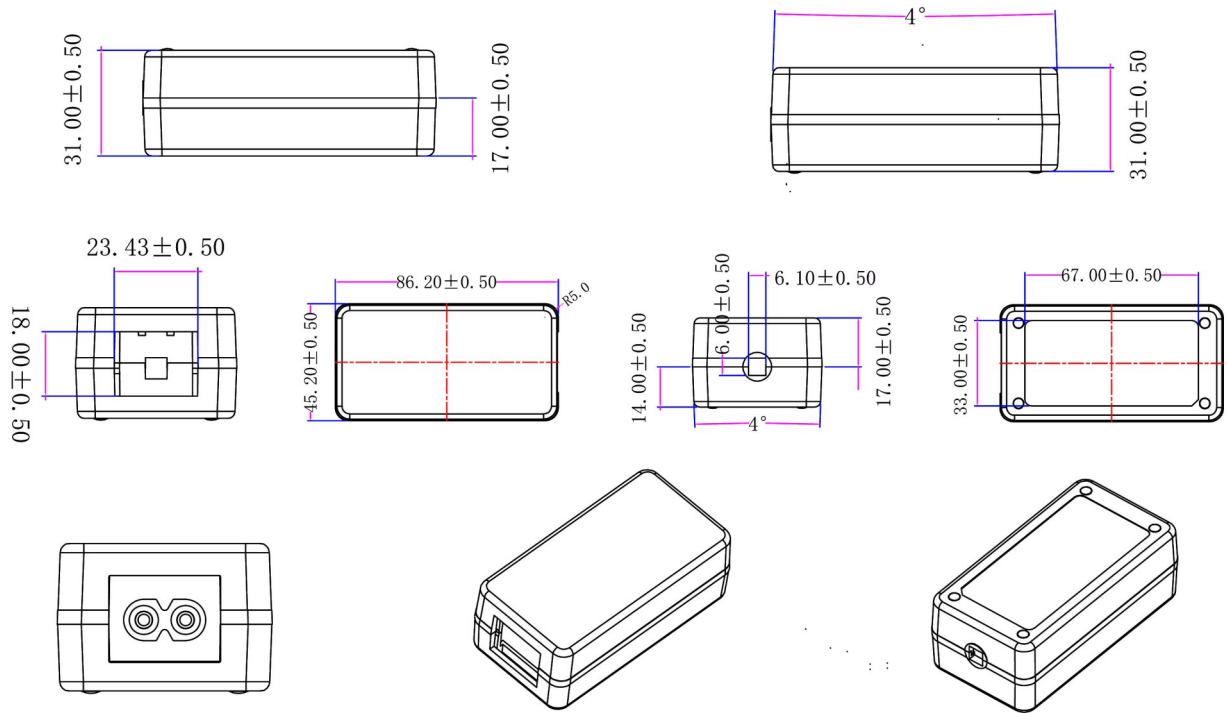
Model	Voltage DC [V]	Loading [A]	Max. Power [W]	Ripple / Noise [mV] p-p	Connector [mm]
SYS1181-1505-T2	5	0~3.0	15	200	2.1x5.5x11
SYS1181-1506-T2	6	0~2.5	15	200	2.1x5.5x11
SYS1181-1809-T2	9	0~2.0	18	200	2.1x5.5x11
SYS1181-1812-T2	12	0~1.5	18	200	2.1x5.5x11
SYS1181-1815-T2	15	0~1.2	18	200	2.1x5.5x11
SYS1181-1818-T2	18	0~1.0	18	200	2.1x5.5x11
SYS1181-1824-T2	24	0~0.75	18	200	2.1x5.5x11

Features:

Output connector: standard: 2.1 x 5.5 x 11mm or customer requirement | Regulated Output With Low Ripple Noise | Safety Agency Requirements and EM/EMS Certified
 Private Label Marking Available | Modified and Custom Design Available | 2 Years Warranty

INPUT OUTPUT	Voltage	90-264VAC
	Current	0.5A max At 100VAC & 240VAC@full load
	Inrush Current	40/60A max At cold start, ambient temperature 25°C nominal AC input 100VAC/240VAC
	Power consumption	0.1W max. with output no load at 115VAC/230VAC input
	Efficiency	Meet ERP level VI
	Hold up time	8mS min At AC nomind input @ output full load
	Turn delay	5000mS max. At AC low line input @ output full load.
	Ripple noise	200mV
	Burn-in	220VAC 80% Load (Ref) 4hours & 40°C +/- 5
PROTECTION	Over current Short protection	Automatic recovery
	Over Voltage	The power supply shall be self-recovering when the fault condition is removed
	Input protection	The switching adaptor use 3.15A fuse
	Protection class	Class II
SAFETY	CE EMC	2014/30/EU
	CE LVD	2014/35/EU IEC 62368
	Safety approvals	ETL/cETLus TUV/GS FCC CE CB SAA PSE LVD UKCA
	Dielectric Strength (Hi-pot)	AC3000V,5.0mA,1 minute for type test
	Leakage current	0.25 mA max.
ENVIRONMENTAL	Temperature	Operating: 0~40°C / Storage: -25~50°C
	Humidity	Operating: 20%~80%RH / Storage:5%~95% RH
	Cooling	The power supply will operate with convection cooling. Blocking of vents must not cause damage to the power supply.
OTHER	MTBF	MTBF shall be least 50,000 hours at 25°C (MIL-HDBK-217F)
	Weight	95±3.5 g
	Dimension	86x45x31 mm
	Packing	100 pcs 1 box

Mechanical case specification:



Cable specification:

