

# YSDS150 SERIES 150W



Our step shape power family are designed with ultra-slim plastic housing and for full range.

The series are isolation Class II Level, achieving high efficiency and low no-load power consumption. They provide adjustable DC output voltage.

The good performance can be used for building automation, household and industrial control systems etc.

## Features



Isolation Class II



DC Output Voltage Adjustable



Ultra Slim Step Shape



Over Voltage Category III



Protection: Short Circuit/Overload/  
Over Voltage



Three Years Warranty

## Model Information

Part number	DC VOLTAGE	RATED CURRENT	RATED POWER
YSDS-150-12	12V	11.3A 10.2A	135.6W/230V AC 122.4W/115V AC
YSDS-150-15	15V	9.5A 8.55A	142.5W/230V AC 128.3W/115V AC
YSDS-150-24	24V	6.25A 5.3A	150.0W/230V AC 127.4W/115V AC
YSDS-150-48	48V	3.12A 2.72A	153.6W/230V AC 130.6W/115V AC

## Input

VOLTAGE RANGE	90 ~ 264VAC 127 ~ 370VDC
FREQUENCY RANGE	47 ~ 63Hz
INRUSH CURRENT	COLD START 60A/240VAC
AC CURRENT	3A/115VAC 1.6A/240VAC
EFFICIENCY	89.0%    YSDS-150-12 89.5%    YSDS-150-15 90.5%    YSDS-150-24 90.5%    YSDS-150-48

## Output

RIPPLE & NOISE	100mVp-p	YSDS-150-12
	120mVp-p	YSDS-150-15
	150mVp-p	YSDS-150-24
	200mVp-p	YSDS-150-48
VOLTAGE ADJ. RANGE	10.8- 13.8V	YSDS-150-12
	13.5- 18.0V	YSDS-150-15
	21.6- 29.0V	YSDS-150-24
	43.2- 55.2V	YSDS-150-48
VOLTAGE TOLERANCE	±2.0%	YSDS-150-12
	±2.0%	YSDS-150-15
	±2.0%	YSDS-150-24
	±2.0%	YSDS-150-48
LINE REGULATION	±1.0%	
LOAD REGULATION	±1.0%	
SETUP, RISE TIME	500ms, 50ms/100-240VAC at full load	
HOLD UP TIME (Typ.)	30ms/100-240VAC at full load	

## Protection

OVER LOAD	105 - 135% rated output power	
	Hiccup mode when output voltage <50%, recovers automatically after fault condition is removed	
	Constant current limiting within 50%-100% rated output voltage, recovers automatically after fault condition is removed.	
OVER VOLTAGE	14.2-16.2V	YSDS-150-12
	18.8-22.5V	YSDS-150-15
	30.0-36.0V	YSDS-150-24
	56.5-64.8V	YSDS-150-48
Protection type: Shut down o/p voltage, re-power on to recover		

## Environment

WORKING TEMP.	-10°C - +70°C
Working Humidity	20 - 90% RH Non-Condensing
STORAGE TEMP., HUMIDITY	-40°C - +85°C, 10 - 90% RH non-condensing
TEMP. COEFFICIENT	±0.03%/°C (0 - 50°C) RH non-condensing
VIBRATION	10 - 500Hz, 2G 10min./1cycle, period for 60min. each along X, Y, Z axes; Mounting: Compliance o IEC60068-2-6
OPERATING ALTITUDE	2000 meters
OVER VOLTAGE CATEGORY	III; According to EN61558, EN50178, EN60664-1, EN62477-1; altitude up to 2000 meters

## SAFETY & EMC

SAFETY REGULATIONS	BS EN/EN62368-1
WITHSTAND VOLTAGE	I/P-O/P:3KVAC
INSULATION RESISTANCE	I/P-O/P:100M Ohms / 500VDC / 25°C / 70% RH BS
EMC EMISSION	EN/EN 55032 class B, BS EN/EN IEC 61000-3-2,3 BS
EMC IMMUNITY	EN/EN61000-4-2,3,4,5,6,8,11

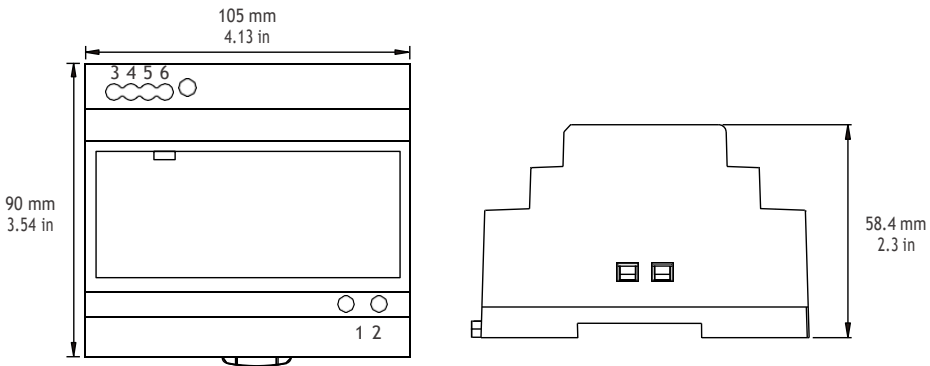
## Dimensions & Weight

Length:	105mm/4.13in
Width:	70.2mm/2.76in
Height:	58.4mm/2.3in
Weight:	270g

## Packing

Carton Size:	42 x 22 x 38 CM 16.54 x 8.66 x 14.96 in
Master Carton Quantities:	50pcs / Carton

# Dimensions and Installation



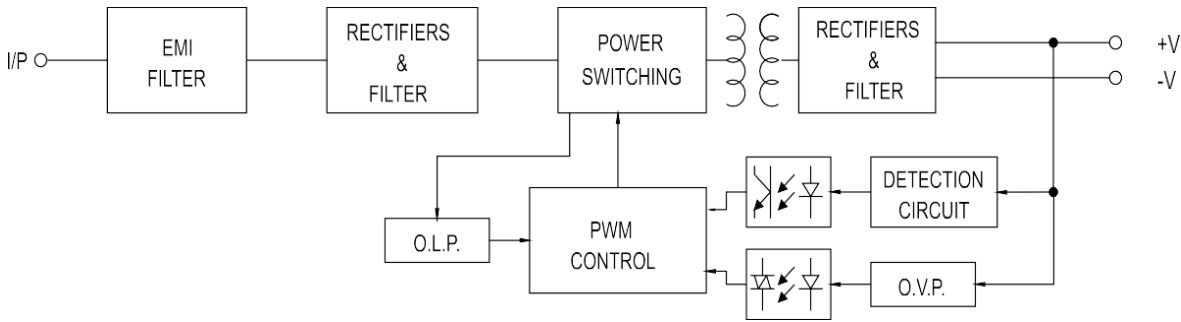
**Input**

No.	Description
1	AC/N
2	AC/L

**Output**

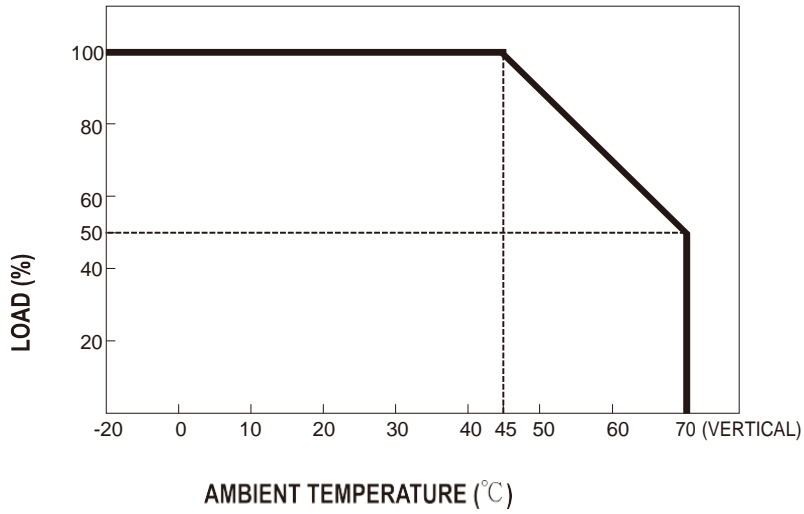
No.	Description
3,4	-V
5,6	+V

# Functional Diagram



## Deduction Curve and Temperature

---



## Minus Output and Input Voltage Curves

---

