

# YSDL20 SERIES 10W



UL<sub>US</sub> CE UK RoHS

Our slimline power family are designed with slim plastic housing and for full range AC input from 90V AC TO 264V AC.

The series are single phase PSU, providing DC OK relay con ac and adjustable DC output voltage. They have high efficiency and operate in wide temperature range.

The series can widely used for industrial automation & control systems, varied equipment, etc.

## Features

---



Universal AC Input/ Full Range



Installation on DIN Rail TS-35/7.5 & 15



DC OK Signal Output



DC Output Voltage Adjustable



Protection: Short Circuit/Overload/  
Over Voltage/Over Temperature



Three Years Warranty

## Model Information

Part number	DC VOLTAGE	RATED CURRENT	RATED POWER
YSDL-10-05	5V	2A	10W
YSDL-10-12	12V	0.84A	10W
YSDL-10-15	15V	0.67A	10W
YSDL-10-24	24V	0.42A	10W

## Input

VOLTAGE RANGE	85-264VAC / 120-370VDC	
FREQUENCY RANGE	50/60Hz	
INRUSH CURRENT	35A/115VAC 70A/230VAC	
AC CURRENT	0.33A/115VAC 0.21A/230VAC	
LEAKAGE CURRENT	<0.25mA/240VAC	
EFFICIENCY	77%	YSDL-10-05
	81%	YSDL-10-12
	81%	YSDL-10-15
	84%	YSDL-10-24

## Output

RIPPLE & NOISE	80mVp-p	YSDL-10-05
	120mVp-p	YSDL-10-12
	120mVp-p	YSDL-10-15
	150mVp-p	YSDL-10-24
VOLTAGE TOLERANCE	± 5.0%	
LINE REGULATION	± 1.0%	
LOAD REGULATION	± 5.0%	
SETUP, RISE TIME	500ms, 30ms/230VAC a full load 1000ms, 30ms/115VAC a full load	

## Protection

OVER LOAD	>105%-150% Rated Output Power Protection type: Hiccup Mode- recovers automatically after fault condition is removed
OVER VOLTAGE	5V: 5.75~ 6.75V 12V: 13.8 - 16.2V 15V: 17.25 - 20.25V 24V: 27.6 - 32.4V Protection type: Shut down o/p voltage, re-power onto recover
OVER TEMPERATURE	Shut down o/p voltage, re-power onto recover
OVER CURRENT	110%-180%

## Environment

OPERATING TEMPERATURE	-20°C to 60°C, Full Load, Normal Operation
STORAGE TEMP	-40°C to 85°C
STORAGE HUMIDITY	10 ~ 95% RH
WORKING HUMIDITY	20% ~ 95% RH Non-Condensing
MTBF	200,000 Hours Minimum a Full Load a 25°C Ambient

## SAFETY & EMC

SAFETY REGULATIONS	UL508, UL1310, BS/EN62368-1 approved
WITHSTAND VOLTAGE	I/P-0/P:3KVAC I/P-FG:2KVAC O/P-FG:0.5KVAC
ISOLATION RESISTANCE	I/P-0/P, I/P-FG, O/P-FG:100M Ohms / 500VDC / 25°C/ 70% RH
EMC EMISSION	Compliance o BS EN/EN55032 (CISPR32), BS EN/EN61204-3 Class B, BS EN/EN61000- 3-2,-3, EAC TP TC 020, CNS13438 Class B

## Dimensions & Weight

---

Length:	23mm / 0.91in
Width:	100mm / 3.94in
Height:	92mm / 3.62in
Weight:	140g

---

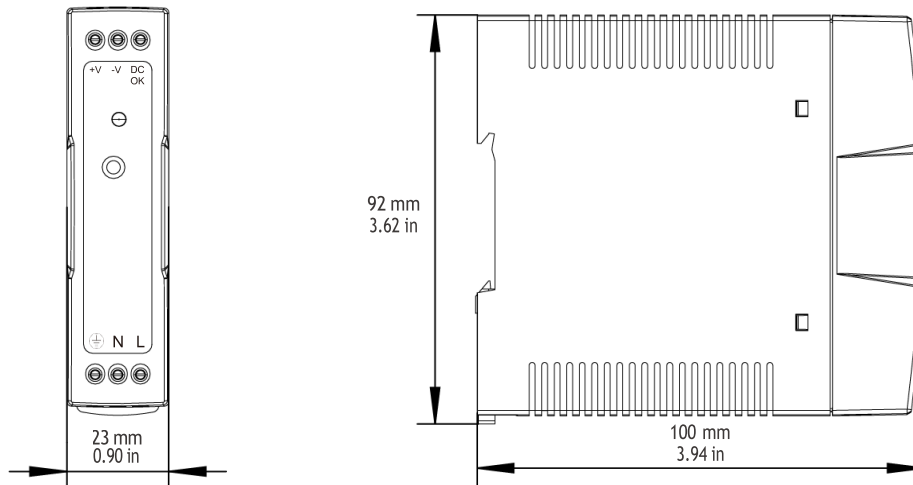
## Packing

---

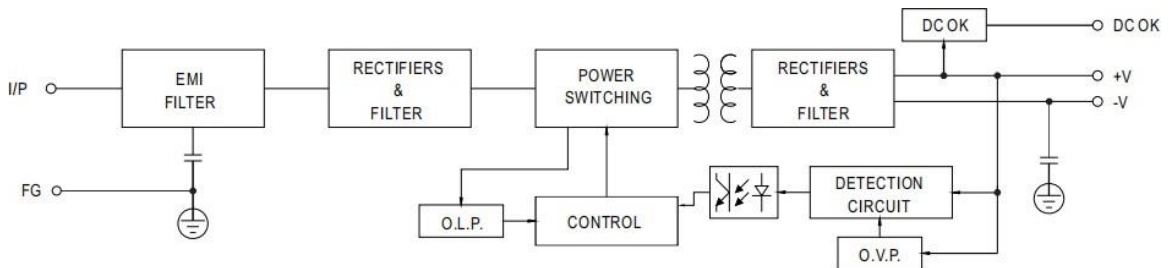
Carton Size:	54 x 30 x 24 CM 21.26 x 11.81 x 9.45 in
Master Carton Quantities:	100pcs / Carton

---

## Dimensions and Installation

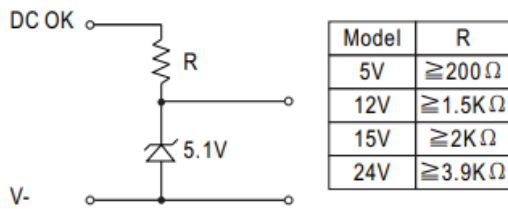


# Functional Diagram

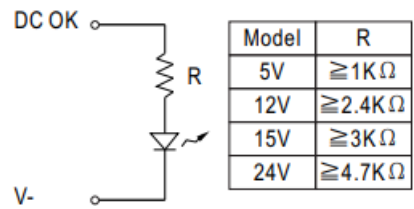


## Application of DC OK Active Signal

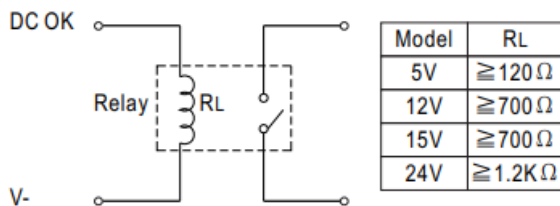
**(a) 5V signal**



**(b) LED**

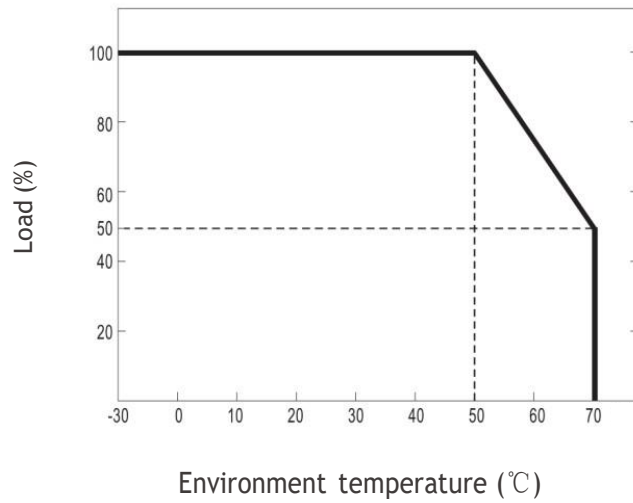


**(c) Relay**



## Deduction curve and temperature

---



## Minus output and input voltage curves

---

