

YSDL100 SERIES 100W



UL_{US} CE UK RoHS

Our slimline power family are designed with slim plastic housing and for full range AC input from 90V AC TO 264V AC.

The series are single phase PSU, providing DC OK relay con ac and adjustable DC output voltage. They have high efficiency and operate in wide temperature range.

The series can widely used for industrial automation & control systems, varied equipment, etc.

Features

- AC** Universal AC Input / Full Range
- DC** DC OK Signal Output
- DC** DC Output Voltage Adjustable
- DC** DC Output Voltage Adjustable
- OFF** No Load Power Consumption < 0.75W
- DIN** Installation on DIN Rail TS-35/7.5 & 15
- 3** Three Years Warranty
- Shield** Protection: Short Circuit/Overload/Over Voltage/Over Temperature

Model Information

Part number	DC VOLTAGE	RATED CURRENT	RATED POWER
YSDL-100-12	12V	7.5A	90W
YSDL-100-24	24V	4A	96W
YSDL-100-48	48V	2A	96W

Input

VOLTAGE RANGE	85-264VAC / 120-370VDC	
FREQUENCY RANGE	50/60Hz	
INRUSH CURRENT	30A/115VAC 60A/230VAC	
AC CURRENT	1.3A/115VAC 0.8A/230VAC	
LEAKAGE CURRENT	<0.25mA/240VAC	
EFFICIENCY	83%	YSDL-100-12
	86%	YSDL-100-24
	87%	YSDL-100-48

Output

RIPPLE & NOISE	120mVp-p	YSDL-100-12
	150mVp-p	YSDL-100-24
	200mVp-p	YSDL-100-48
VOLTAGE TOLERANCE	± 5.0%	
LINE REGULATION	± 1.0%	
LOAD REGULATION	± 1.0%	
SETUP, RISE TIME	500ms, 30ms/230VAC at full load 500ms, 30ms/115VAC at full load	

Protection

OVER LOAD	>105%-150% Rated Output Power Protection type: Hiccup Mode- recovers automatically after fault condition is removed
OVER VOLTAGE	12V:15.6 ~ 18V 24V:31.2 ~ 36V 48V:57.6 ~64.8V Protection type: Shut down o/p voltage, re-power onto recover
OVER TEMPERATURE	Shut down o/p voltage, re-power onto recover
OVER CURRENT	110%-180%

Environment

OPERATING TEMPERATURE	-20°C to 60°C, Full Load, Normal Operation
STORAGE TEMP	-40°C to 85°C
STORAGE HUMIDITY	10 ~ 95% RH
WORKING HUMIDITY	20% ~ 95% RH Non-Condensing
MTBF	200,000 Hours Minimum a Full Load a 25°C Ambient

SAFETY & EMC

SAFETY REGULATIONS	UL508, TUV BS EN/EN62368-1, EAC TP TC 004, BSMI CNS14336-1, AS/NZS 62368.1 approved
WITHSTAND VOLTAGE	I/P-0/P:3KVAC I/P-FG:2KVAC O/P-FG:0.5KVAC
ISOLATION RESISTANCE	I/P-0/P, I/P-FG, O/P-FG:100M Ohms / 500VDC / 25°C/ 70% RH
EMC EMISSION	Compliance to BS EN/EN55032 (CISPR32), BS EN/EN61204-3 Class B, BS EN/EN61000- 3-2,-3, EAC TP TC 020, CNS13438 Class B

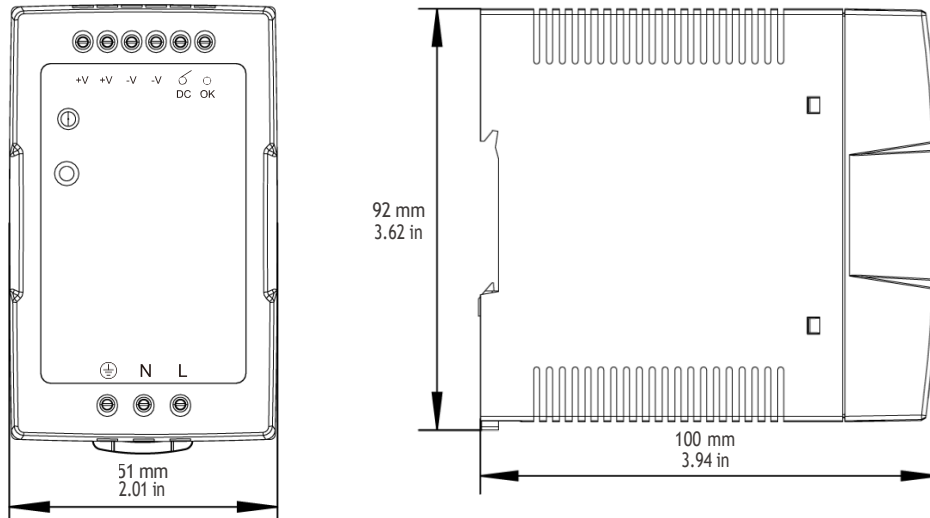
Dimensions & Weight

Length:	55mm / 2.17in
Width:	100mm / 3.94in
Height:	92mm / 3.62in
Weight:	400g

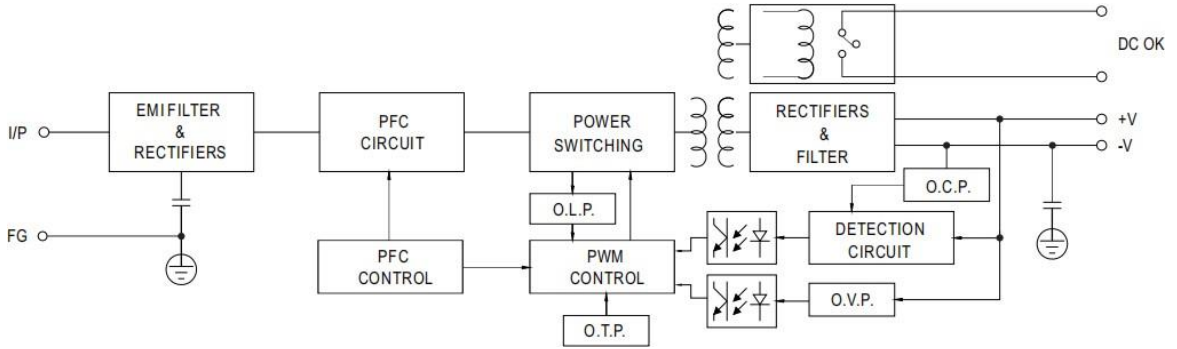
Packing

Carton Size:	42.5 x 32 x 24 CM 21.26 x 16.73 x 9.45 in
Master Carton Quantities:	40pcs / Carton

Dimensions and Installation



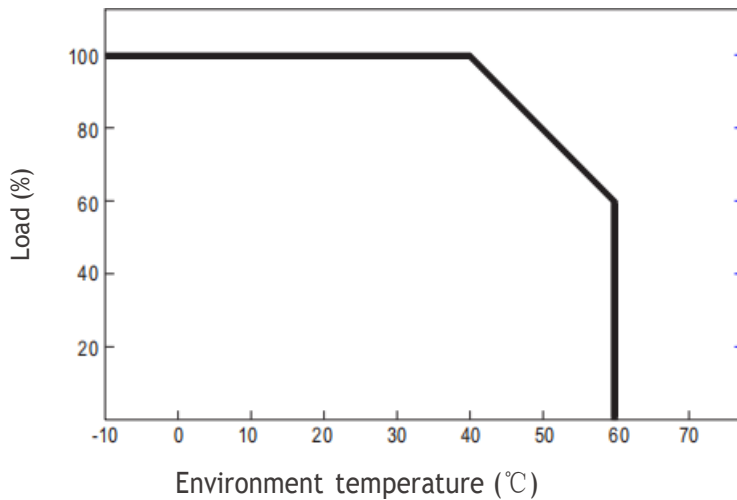
Functional Diagram



Application of DC OK Active Signal

Contact Close	PSU turns on / DC OK.
Contact Open	PSU turns off / DC Fail.
Contact Ratings (max.)	30V/1A resistive load.

Deduction curve and temperature



Minus output and input voltage curves

