

YSDL60 SERIES 40W



cUL_{us} CE UK RoHS

Our slimline power family are designed with slim plastic housing and for full range AC input from 90V AC TO 264V AC.

The series are single phase PSU, providing DC OK relay contact and adjustable DC output voltage. They have high efficiency and operate in wide temperature range.

The series can widely used for industrial automation & control systems, varied equipment, etc.

Features

AC Universal AC Input/ Full Range

DIN Installation on DIN Rail TS-35/7.5 & 15

DC DC OK Signal Output

DC DC Output Voltage Adjustable

Shield Protection: Short Circuit/Overload/
Over Voltage/Over Temperature

3 Three Years Warranty

Model Information

Part number	DC VOLTAGE	RATED CURRENT	RATED POWER
YSDL-40-05	5V	6A	30W
YSDL-40-12	12V	3.33A	40W
YSDL-40-24	24V	1.7A	40W
YSDL-40-48	48V	0.83A	40W

Input

VOLTAGE RANGE	90-264 VAC/127-370VDC	
FREQUENCY RANGE	50/60Hz	
INRUSH CURRENT	30A/115VAC 60A/230VAC	
AC CURRENT	1.1A/115VAC 0.7A/230VAC	
LEAKAGE CURRENT	<0.25mA/240VAC	
EFFICIENCY	78%	YSDL-40-05
	86%	YSDL-40-12
	88%	YSDL-40-24
	88%	YSDL-40-48

Output

RIPPLE & NOISE	80mVp-p	YSDL-40-05
	120mVp-p	YSDL-40-12
	150mVp-p	YSDL-40-24
	200mVp-p	YSDL-40-48
VOLTAGE TOLERANCE	± 2.0%	
LINE REGULATION	± 2.0%	
LOAD REGULATION	± 5.0%	
SETUP, RISE TIME	500ms, 30ms/230VAC at full load 1000ms, 30ms/115VAC at full load	

Protection

OVER LOAD	>105%-150% Rated Output Power Protection type: Hiccup Mode- recovers automatically after fault condition is removed
OVER VOLTAGE	5V: 6.25- 7.25V 12V: 15.6 - 18V 24V: 31.2 - 36V 48V: 57.6 -64.8V Protection type: Shut down o/p voltage, re-power onto recover
OVER TEMPERATURE	Shut down o/p voltage, re-power onto recover
OVER CURRENT	110%-180%

Environment

OPERATING TEMPERATURE	-20°C to 60°C, Full Load, Normal Operation
STORAGE TEMP	-40°C to 85°C
STORAGE HUMIDITY	10 ~ 95% RH
WORKING HUMIDITY	20% ~ 95% RH Non-Condensing
MTBF	200,000 Hours Minimum a Full Load a 25°C Ambient

SAFETY & EMC (Note 4)

SAFETY STANDARDS	UL508, BS/EN62368-1
WITHSTAND VOLTAGE	I/P-0/P:3KVAC I/P-FG:2KVAC O/P-FG:0.5KVAC
ISOLATION RESISTANCE	I/P-0/P, I/P-FG, O/P-FG:>100M Ohms / 500VDC / 25°C/ 70% RH
EMC EMISSION	Compliance to BS EN/EN55032, BS EN/EN61000-3-2,-3
EMC IMMUNITY	Compliance to BS EN/EN61000-4-2,3,4,5,6,8,11, BS EN/EN55035, BS EN/EN61000-6-2 (BS EN/EN50082-2),

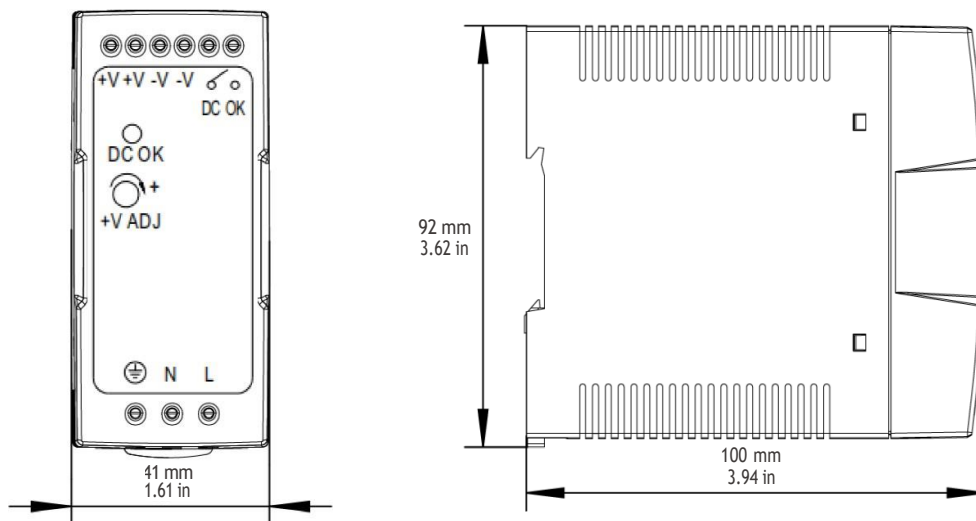
Dimensions & Weight

Length:	41mm / 1.61in
Width:	100mm / 3.94in
Height:	92mm / 3.62in
Weight:	280g

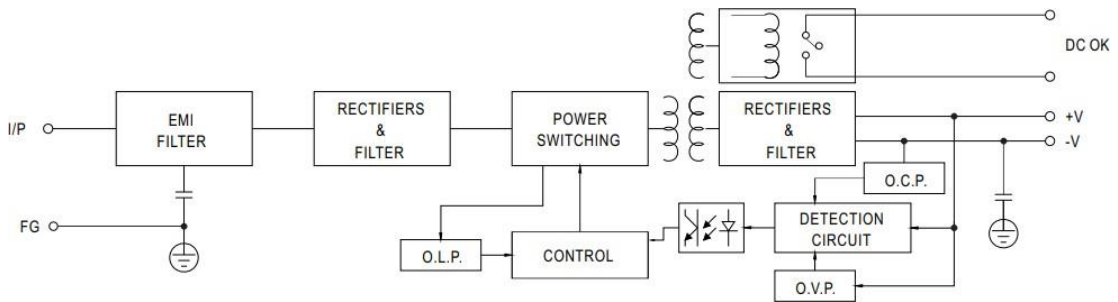
Packing

Carton Size:	54 x 24.5 x 24 CM 21.26 x 9.65 x 9.45 in
Master Carton Quantities:	50pcs / Carton

Dimensions and Installation



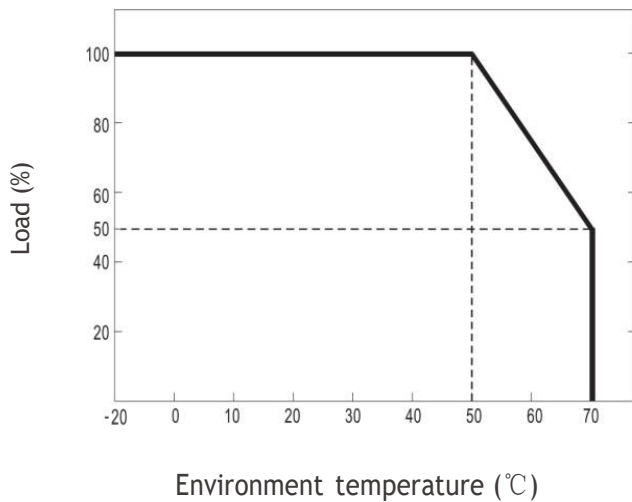
Functional Diagram



Application of DC OK Active Signal

Contact Close	PSU turns on / DC OK.
Contact Open	PSU turns off / DC Fail.
Contact Ratings (max.)	30V/1A resistive load.

Deduction curve and temperature



Minus output and input voltage curves

