

# YSDL60 SERIES 60W



Our slim line power family are designed with slim plastic housing and for full range AC input from 90V AC TO 264V AC.

The series are single phase PSU, providing DC OK relay contact and adjustable DC output voltage. They have high efficiency and operate in wide temperature range.

The series can widely used for industrial automation & control systems, varied equipment, etc.

cUL<sub>us</sub> CE UK RoHS

## Features

---



Universal AC Input / Full Range



Installation on DIN Rail TS-35/7.5 & 15



DC OK Signal Output



DC Output Voltage Adjustable



Protection: Short Circuit/Overload/  
Over Voltage/Over Temperature



Three Years Warranty

## Model Information

Part number	DC VOLTAGE	RATED CURRENT	RATED POWER
YSDL-60-05	5V	10A	50W
YSDL-60-12	12V	5A	60W
YSDL-60-24	24V	2.5A	60W
YSDL-60-48	48V	1.25A	60W

## Input

VOLTAGE RANGE	90-264VAC / 127-370VDC	
FREQUENCY RANGE	47-63Hz	
INRUSH CURRENT	30A / 115VAC 60A / 230VAC	
AC CURRENT	1.8A / 115VAC 1A / 230VAC	
LEAKAGE CURRENT	<0.25mA / 240VAC	
EFFICIENCY	78%	YSDL-60-05
	86%	YSDL-60-12
	87%	YSDL-60-24
	87%	YSDL-60-48

## Output

RIPPLE & NOISE	80mVp-p	YSDL-60-05
	120mVp-p	YSDL-60-12
	150mVp-p	YSDL-60-24
	200mVp-p	YSDL-60-48
VOLTAGE TOLERANCE	±2.0%	
LINE REGULATION	±2.0%	
LOAD REGULATION	±5.0%	
SETUP, RISE TIME	500ms, 30ms / 230VAC at full load 500ms, 30ms / 115VAC at full load	

## Protection

OVER LOAD	>105%-150% Rated Output Power Protection type: Hiccup Mode- recovers automatically after fault condition is removed
OVER VOLTAGE	5V: 6.25- 7.25V 12V: 15.6 - 18V 24V: 31.2 - 36V 48V: 57.6 -64.8V Protection type: Shut down o/p voltage, re-power onto recover
OVER TEMPERATURE	Shut down o/p voltage, re-power onto recover
OVER CURRENT	110%-180%

## Environment

OPERATING TEMPERATURE	-20°C to 60°C, Full Load, Normal Operation
STORAGE TEMP	-40°C to 85°C
STORAGE HUMIDITY	10 ~ 95% RH
WORKING HUMIDITY	20% ~ 95% RH Non-Condensing
MTBF	200,000 Hours Minimum a Full Load a 25°C Ambient

## SAFETY & EMC (Note 4)

SAFETY STANDARDS	UL508, BS/EN62368-1
WITHSTAND VOLTAGE	I/P-O/P:3KVAC I/P-FG:2KVAC O/P-FG:0.5KVAC
ISOLATION RESISTANCE	I/P-O/P, I/P-FG, O/P-FG:>100M Ohms / 500VDC / 25°C/ 70% RH
EMC EMISSION	Compliance to BS EN/EN55032, BS EN/EN61000-3-2,-3
EMC IMMUNITY	Compliance to BS EN/EN61000-4-2,3,4,5,6,8,11, BS EN/EN55035, BS EN/EN61000-6-2 (BS EN/EN50082-2),

## Dimensions & Weight

---

Length:	41mm / 1.61in
Width:	100mm / 3.94in
Height:	92mm / 3.62in
Weight:	280g

---

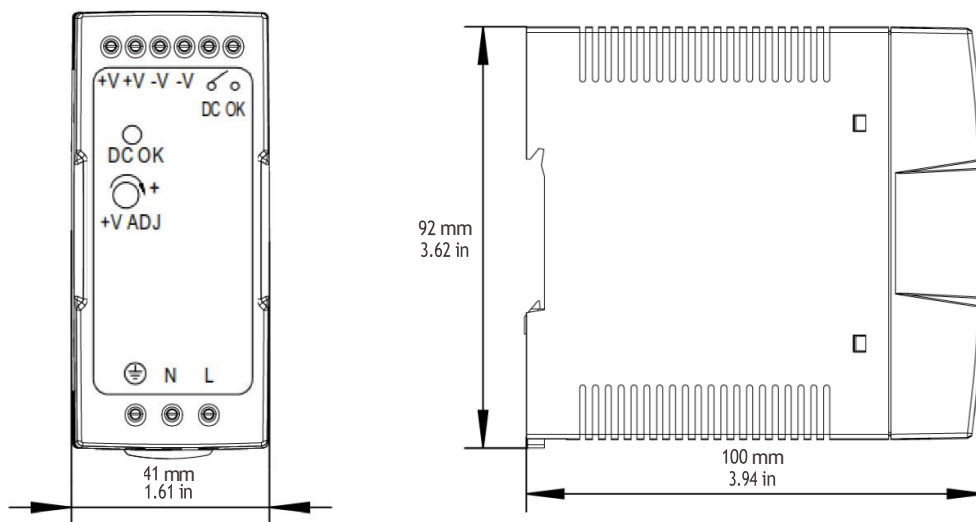
## Packing

---

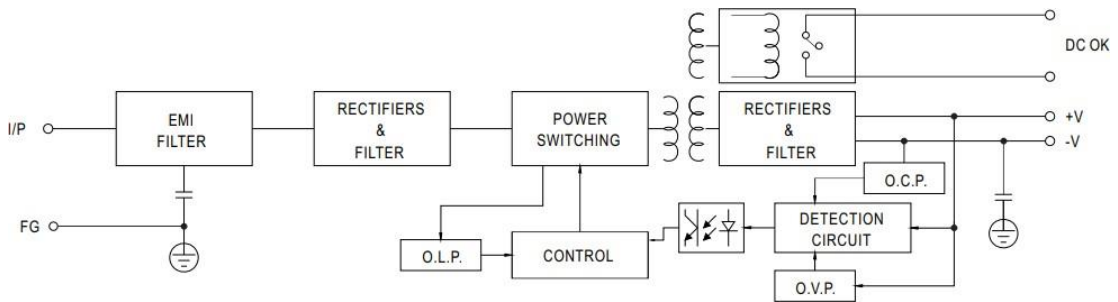
Carton Size:	54 x 24.5 x 24 CM 21.26 x 9.65 x 9.45 in
Master Carton Quantities:	50pcs / Carton

---

## Dimensions and Installation



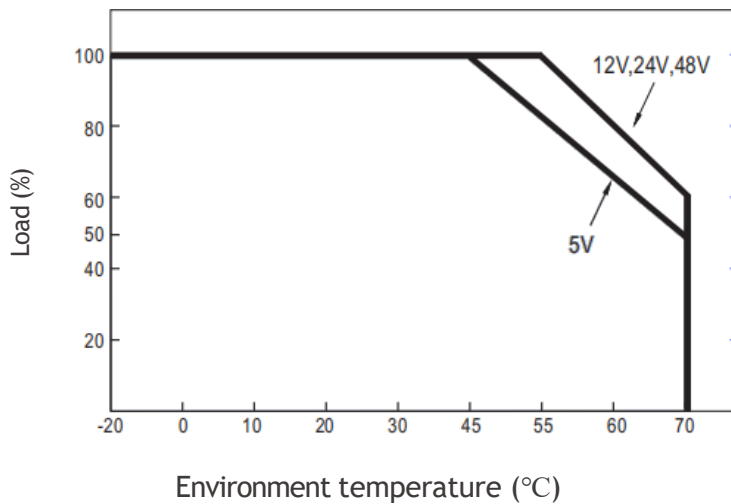
# Functional Diagram



## Application of DC OK Active Signal

Contact Close	PSU turns on / DC OK.
Contact Open	PSU turns off / DC Fail.
Contact Ratings (max.)	30V/1A resistive load.

## Deduction curve and temperature



# Minus output and input voltage curves

---

