

Country of Origin : China

Efficiency level : VI

**GREEN MODE**      **RoHS**



**Specification:**

ErP V.	Model	Voltage DC [V]	Efficiency [%]	OCP [A]	OVP [V]	Max. Power [W]	Ripple & Noise [mV]p-p max.	Connector [mm]
	SYS1529-1205	5.0	75	2.5-3.0	max 10V	12	250	USB inlet

**Features:**

Dual USB inlet charger with Exchangeable AC Plugs.

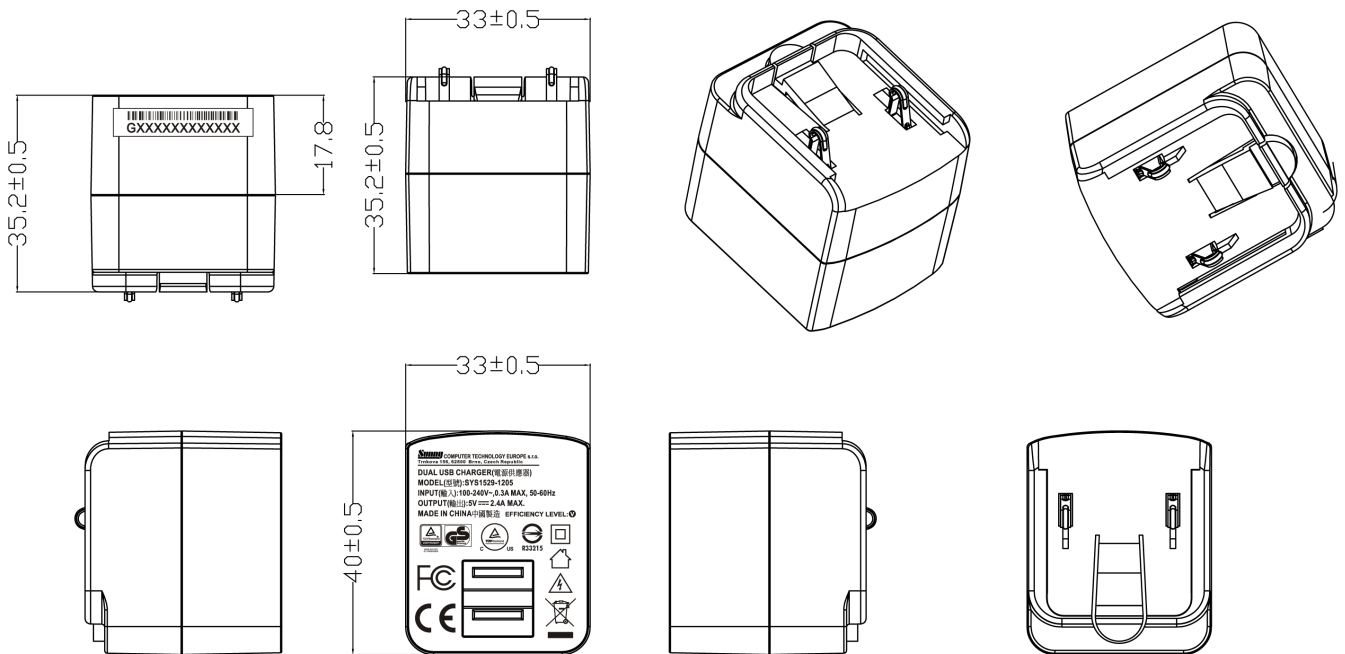
Customer can choose one or more from 5 AC plugs Wxx\* (W2 - USA,Canada,Japan | W2A - Australia | W2C - China | W2E - Europe | W3U - England).

Output connector: dual USB inlet

Max load: 2.4A if 1 USB port is used / 1.2A if 2 USB ports are used

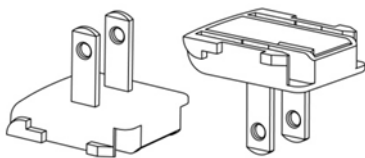
INPUT   OUTPUT	Voltage	100-264VAC
	Current	0.3A rms max   At AC low line input and DC output full load
	Inrush Current	40/60A max   At power supply cold start, ambient temperature 25°C@115VAC/230VAC nominal AC input
	Power consumption	0.1W rms max   At AC nominal input@output no load
	Efficiency	Meet ERP level VI
	Hold up time	3mS min   At AC nominal input @ output full load
	Turn delay	5000mS max.   At AC low line input @ output full load.
	Ripple noise	250mV
	Burn-in	2 Hour Full Load
PROTECTION	Over current Short protection	Fold back   Auto recovery when abnormal circuit faults remove.
	Over Voltage	Voltage limit
	Input protection	2A/250V Fuse   The power supply shall be protected against power line surges and any abnormal condition
	Protection class	Class II
SAFETY	CE EMC	2014/30/EU
	CE LVD	2014/35/EU EN IEC 62368-1
	Safety approvals	CB   CE   FCC   cULus
	Dielectric Strength (Hi-pot)	IEC 320 2pin primary to secondary 3000Vdc 10mA 1min
	Leakage current	0.25 mA max.
ENVIRONMENTAL	Temperature	Operating: 0~35°C / Storage: -20~85°C
	Humidity	Operating: 8%~90%RH / Storage:5%~95% RH
	Cooling	Natural Convection Cooling
OTHER	MTBF	MTBF shall be least 50,000 hours at 25°C (MIL-HDBK-217F)
	Weight	38g/pcs + plug
	Dimension	40x33x35 mm
	Packing	400 pcs   1 box

**Mechanical case specification:**

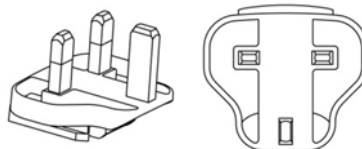


**Mechanical specification (country housing):**

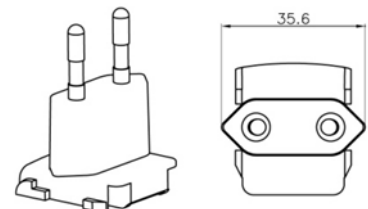
US / Japan type (W2)



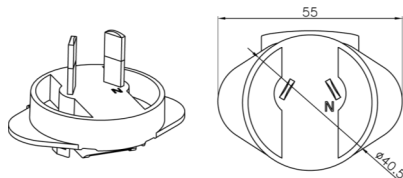
UK type (W3U)



Europe type (W2E)



Australia type (W2A)



China type (W2C)

