

Country of Origin : China  
 Operating Temperature : 0~40 [°C]  
 Efficiency level (ErP) : VI



**GREEN MODE**

**RoHS**



**Specifications**

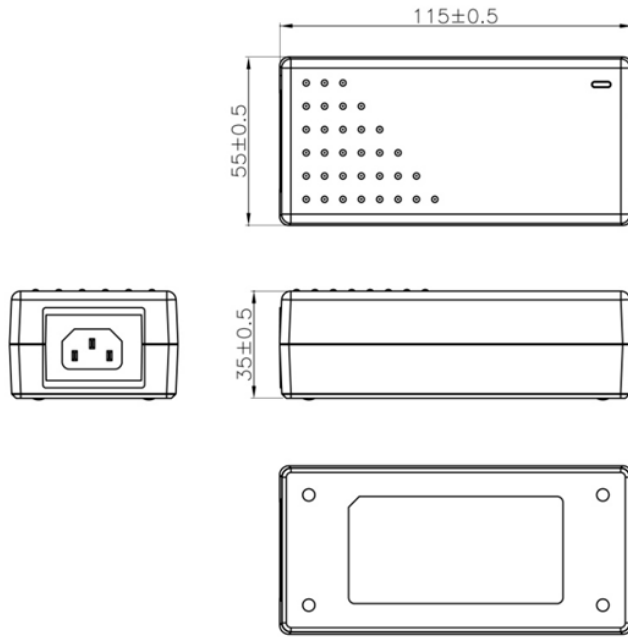
Model	Voltage DC [V]	Loading [A]	Max. Power [W]	Ripple / Noise [mV] p-p	Connector [mm]
SYS1548-5012-T3	12	0~4.17	50	200	2.1x5.5x11
SYS1548-5024-T3	24	0~2.08	50	240	2.1x5.5x11
SYS1548-6512-T3	12	0~5.42	65	180	2.1x5.5x11
SYS1548-6512-T3	12	0~5.42	65	180	2.5x5.5x11
SYS1548-6515-T3	15	0~4.33	65	200	2.1x5.5x11
SYS1548-6518-T3	18	0~3.61	65	240	2.1x5.5x11
SYS1548-6519-T3	19	0~3.42	65	240	2.1x5.5x11
SYS1548-6524-T3	24	0~2.71	65	300	2.1x5.5x11
SYS1548-6536-T3	36	0~1.80	65	360	2.1x5.5x11

**Features:**

Available in 2 inlet versions: C7(T2) & C13(T3)  
 Output connector: standard: 2.1 x 5.5 x 11mm or customer requirement | Regulated Output With Low Ripple Noise | Safety Agency Requirements and EMI/EMS Certified  
 Private Label Marking Available | Modified and Custom Design Available | 2 Years Warranty

<b>INPUT   OUTPUT</b>	<b>Voltage</b>	90-264VAC
	<b>Current</b>	1.5A rms max   At AC low line input and DC output full load
	<b>Inrush Current</b>	40/60A max   At cold start, ambient temperature 25°C nominal AC input 115VAC/240VAC
	<b>Power consumption</b>	0.21W max. with output no load at 115VAC/230VAC input
	<b>Efficiency</b>	Meet ERP level VI
	<b>Hold up time</b>	10mS min   At AC nomind input @ output full load
	<b>Turn delay</b>	3000mS max.   3S max on the condition that input volotage 230V, full load.
	<b>Ripple noise</b>	300mV
<b>Burn-in</b>	2 Hour Full Load	
<b>PROTECTION</b>	<b>Over current Short protection</b>	Fold back   Auto recovery when abnormal circuit faults remove.
	<b>Over Voltage</b>	Latch off
	<b>Input protection</b>	3.15A/250V Fuse   The power supply shall be protected against power line surges and any abnormal condition
	<b>Protection class</b>	Class I
<b>SAFETY</b>	<b>CE EMC</b>	2014/30/EU
	<b>CE LVD</b>	2014/35/EU EN 62368
	<b>Safety approvals</b>	CB   CE   GS   FCC   cULus   CCC   BSMI   PSE   KC(only12V)   SAA   RCM   NOM (only5012/6012)   UKCA   EAC(only5012)   BIS(only6512/6012/5012)   S-MARK   STCOA
	<b>Dielectric Strength (Hi-pot)</b>	IEC 320 3pin primary to secondary ( FG ) 1500Vac 10mA 1min
	<b>Leakage current</b>	3.5 mA max.
<b>ENVIRONMENTAL</b>	<b>Temperature</b>	Operating: 0~40°C / Storage: -20~85°C
	<b>Humidity</b>	Operating: 8%~90%RH / Storage:5%~95% RH
	<b>Cooling</b>	Natural Convection Cooling
<b>OTHER</b>	<b>MTBF</b>	MTBF shall be least 50,000 hours at 25°C (MIL-HDBK-217F)
	<b>Weight</b>	290g
	<b>Dimension</b>	115x55x35 mm
	<b>Packing</b>	60 pcs   1 box

**Mechanical case**



**Cable specification:**

