

Country of Origin : China

Efficiency level (ErP) : VI

GREEN MODE **RoHS**



Specifications

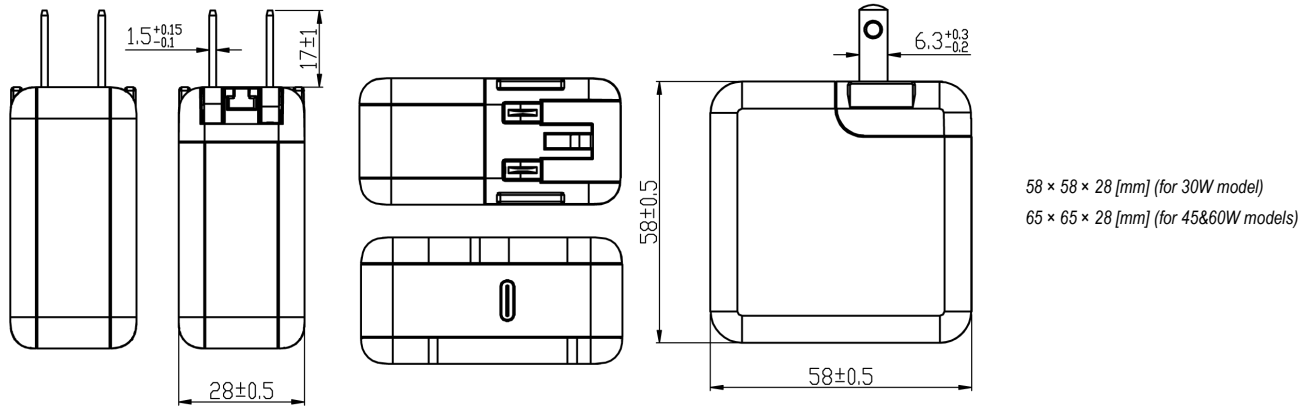
Model	Voltage DC/Loading [V/A]	Max. Power [W]	Ripple / Noise [mV] p-p	Connector
SYS1621-Type C 30 Wxx*	5V/3A, 9V/3A, 12V/2.5A, 15V/2A, 20V/1.5A	30	300	USB-C
SYS1621-Type C 45 Wxx*	5V/3A, 9V/3A, 12V/3A, 15V/3A, 20V/2.2A	45	300	USB-C
SYS1621-Type C 60 Wxx*	5V/3A, 9V/3A, 12V/3A, 15V/3A, 20V/3A	60	300	USB-C

Features:

Changeable plugs ready for use in countries:
Wxx = W2E - Europe | W3U - England | W2 - USA, Canada, Japan (fixed) | W2A - Australia | W2G - Argentina | W2K - Korea | W2C - China | W2I - India
Output connector: Regulated Output With Low Ripple Noise | Safety Agency Requirements and EMI/EMS Certified
Private Label Marking Available | Modified and Custom Design Available | 2 Years Warranty | Power delivery

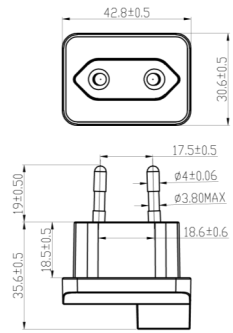
INPUT OUTPUT	Voltage	100-264VAC
	Current	1.5A rms max At AC low line input and DC output full load
	Inrush Current	40/60A max@power supply cold start, ambient temperature 25°C @115Vac/230Vac nominal AC input
	Power consumption	0.21W max. with output no load at 115VAC/230VAC input
	Efficiency	Meet ERP level VI
	Hold up time	10ms min@AC nominal input@output full load (>half cycle)
	Turn delay	5000mS max. At AC low line input @ output full load.
	Ripple noise	300mV
	Burn-in	2 Hours Full Load
PROTECTION	Over current Short protection	Fold back Auto recovery when abnormal circuit faults remove.
	Over Voltage	Auto-detect the charging voltage and current for Type C and iOS devices.
	Input protection	3.15A/250V Fuse
	Protection class	Class II
SAFETY	CE EMC	2014/30/EU
	CE LVD	2014/35/EU EN 62368
	Safety approvals	CE FCC CB (45W)
	Dielectric Strength (Hi-pot)	IEC 320 2pin primary to secondary 3000Vac 10mA 1min
	Leakage current	0.25 mA max.
ENVIRONMENTAL	Temperature	Operating: 0~30°C / Storage: -20~85°C
	Humidity	Operating: 8%~90%RH / Storage:5%~95% RH
	Cooling	Natural Convection Cooling
OTHER	MTBF	MTBF shall be least 50,000 hours at 25°C (MIL-HDBK-217F)
	Weight	133g (30W model) 90g (45&60W models)
	Dimension	58×58×28 mm (30W model) 65×65×28 mm (45&60W models)
	Packing	120 pcs 1 box

Mechanical case specification: + fixed plug US / Japan type (W2)

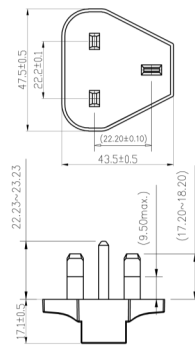


Mechanical specification (country housing):

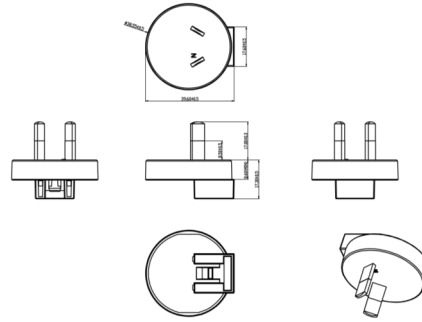
Europe type (W2E)



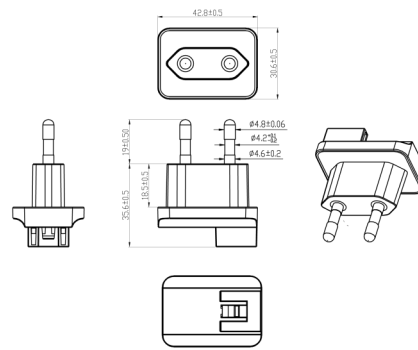
UK type (W3U)



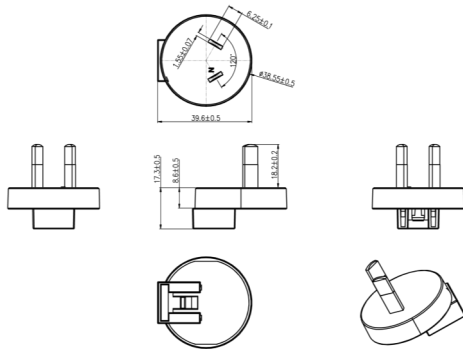
Australia type (W2A)



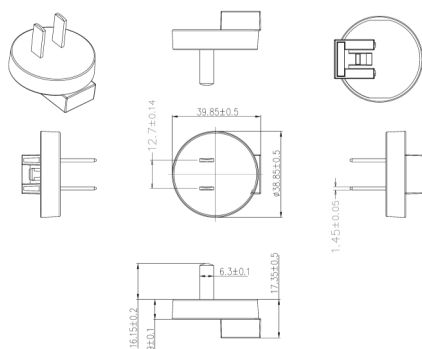
Korea (W2K)



Argentina (W2G)



China (W2C)



India (W2I)

