

Country of Origin : China

Efficiency level (ErP) : VI



GREEN MODE **RoHS**



Specifications

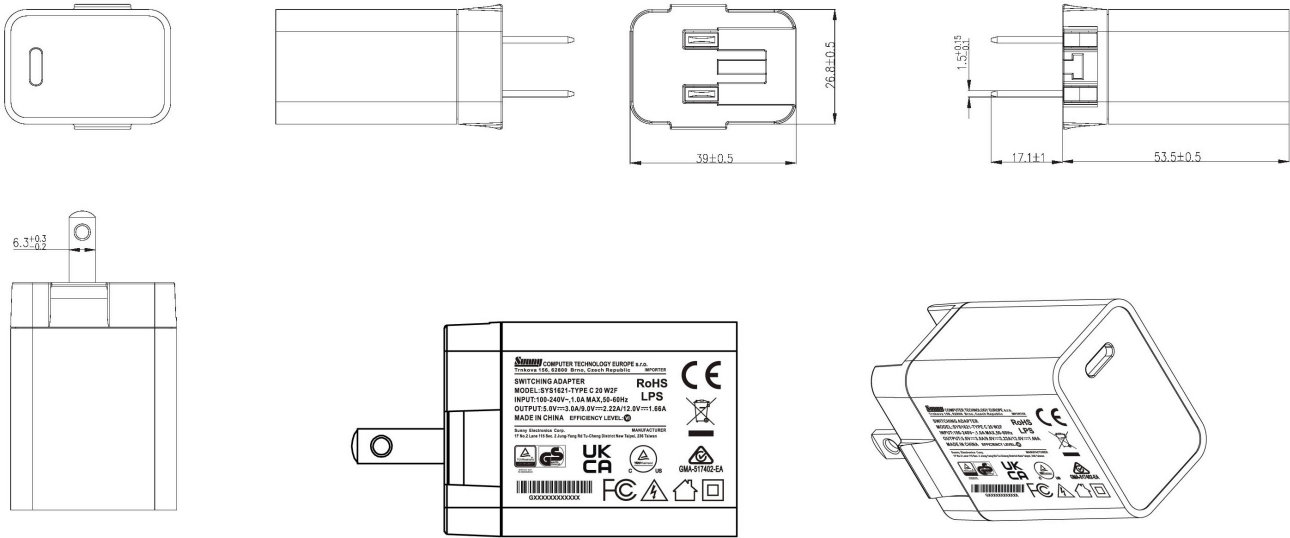
Model	Voltage DC>Loading [V/A]	Max. Power [W]	Ripple / Noise [mV] p-p	Connector
SYS1621-Type C 20 W2F	5V/3A, 9V/2.22A, 12V/1.66A	20	300	USB-C

Features:

Auto-detect the charging voltage and current for Type C and iOS devices.
 Changeable plugs ready for use in countries:
 Wxx = W2E - Europe | W3U - England | W2 - USA, Canada, Japan (fixed) | W2A - Australia | W2G - Argentina | W2K - Korea | W2C - China | W2I - India
 Output connector: Regulated Output With Low Ripple Noise | Safety Agency Requirements and EMI/EMS Certified
 Private Label Marking Available | 2 Years Warranty

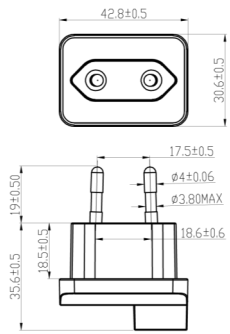
INPUT OUTPUT	Voltage	90-264VAC
	Current	1.5A rms max At AC low line input and DC output full load
	Power consumption	0.1W max. with output no load at 115VAC/230VAC input
	Efficiency	Meet ERP level VI
	Turn delay	3000mS max. 3S max on the condition that input volotage 230V, full load
	Ripple noise	300mV
	Burn-in	Ambient temp: 35C+-3%; 80% load;input voltage 230V;2 hours
PROTECTION	Over current Short protection	Fold back Auto recovery when abnormal circuit faults remove.
	Over Voltage	Auto recovery
	Input protection	2A/250V Fuse
	Protection class	Class II
SAFETY	CE EMC	2014/30/EU
	CE LVD	2014/35/EU EN IEC 62368-1
	Safety approvals	cTUVus FCC GS CB CE UKCA RCM PSE EAC BSMI CCC BIS UL
	Dielectric Strength (Hi-pot)	IEC 320 2pin primary to secondary 4000Vdc 10mA 1min
	Leakage current	0.25 mA max.
ENVIRONMENTAL	Temperature	Operating: 0~40°C / Storage: -20~85°C
	Humidity	Operating: 8%~90%RH / Storage:5%~95% RH
	Cooling	Natural Convection Cooling
OTHER	MTBF	MTBF shall be least 50,000 hours at 25°C (MIL-HDBK-217F)
	Weight	53g
	Dimension	70x39x27 mm
	Packing	200 pcs 1 box

Mechanical case specification:

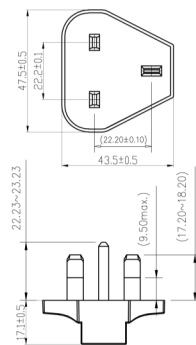


Mechanical specification (country housing):

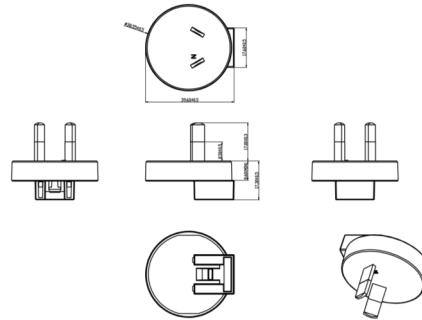
Europe type (W2E)



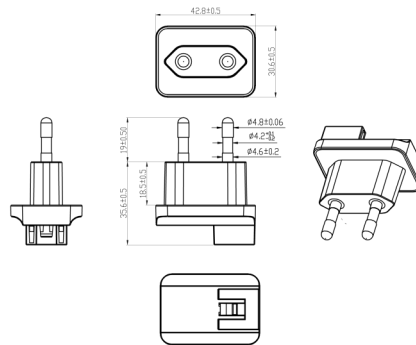
UK type (W3U)



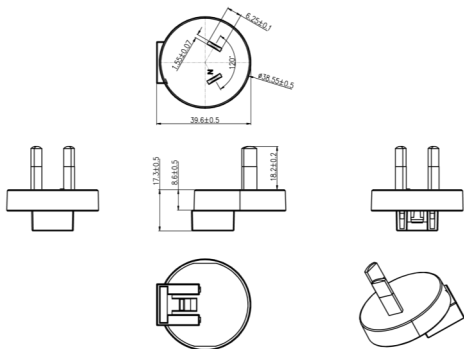
Australia type (W2A)



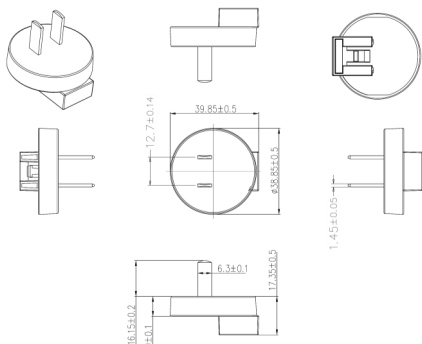
Korea (W2K)



Argentina (W2G)



China (W2C)



India (W2I)

